
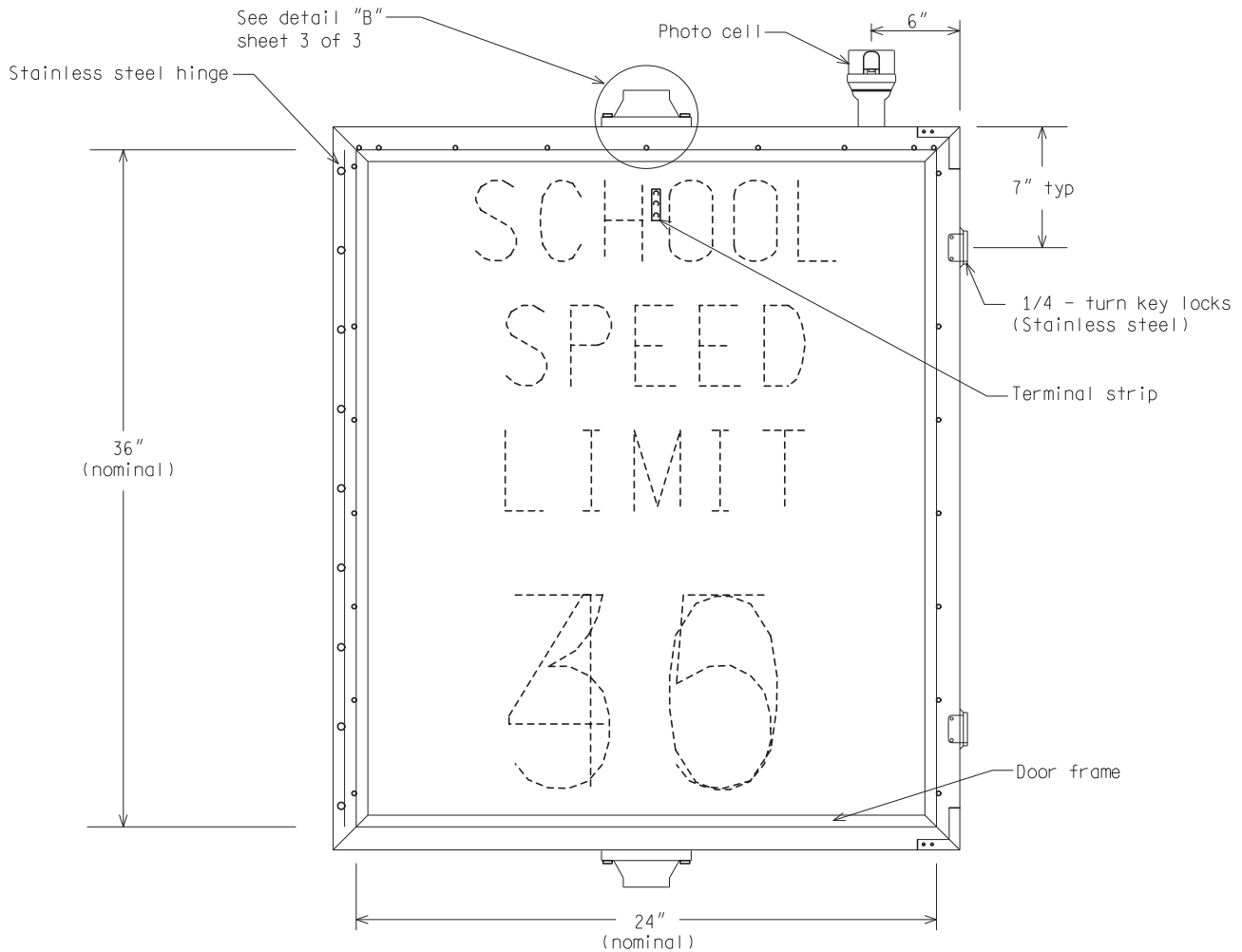


NOTE: Use pedestal collar for pedestal length greater than or equal to 14' (typical for 3 color traffic signals with pedestrian signals)

NOT TO SCALE		File: RefDoc/TR/Signals/Web/Sp Det/Fin/SIG350A.dgn		Rev: 02/16/17	
 PREPARED BY TRAFFIC AND SAFETY	_____ ENGINEER OF DELIVERY		MICHIGAN DEPARTMENT OF TRANSPORTATION BUREAU OF HIGHWAYS DELIVERY STANDARD PLAN FOR SCHOOL SPEED LIMIT SIGN (LED)		
	_____ ENGINEER OF DEVELOPMENT				
DRAWN BY: CHECKED BY:	(SPECIAL DETAIL) FHWA APPROVAL DATE		_____ PLAN DATE	SIG-350-A	
				SHEET 1 of 3	



NOTES:

- 1) "SIGN MESSAGE" shall utilize a single row of LED's to form each character or numeral, and capable of displaying messages in one direction
- 2) Message displays and colors:



Message 1
(white)



Message 2
("SCHOOL" - yellow)
("SPEED LIMIT 30" - white)

- 3) Provide a dimming device with photo cell for improved night time visibility.
- 4) Sign housing shall be pre-drilled for power entry through top mounting hub.
- 5) Provide a sign with nominal viewing area of 24" by 36" or otherwise indicated on the plans or directed by the Engineer.
- 6) Provide a three-sided visor
- 7) All hardware shall be AISI series 300 stainless steel

NOT TO SCALE

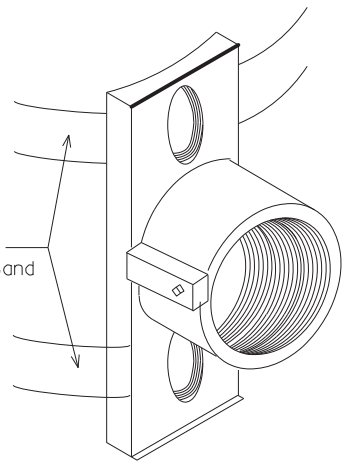
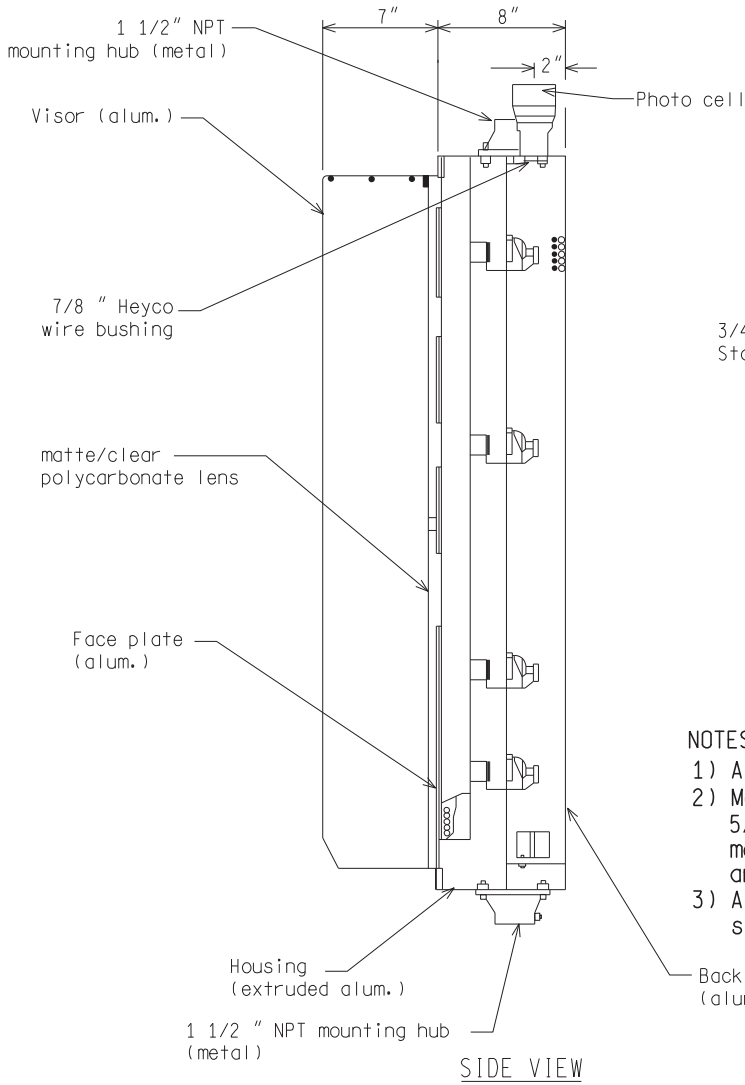
MICHIGAN DEPARTMENT OF TRANSPORTATION
BUREAU OF HIGHWAYS DELIVERY STANDARD PLAN

(SPECIAL DETAIL)
FHWA APPROVAL DATE

PLAN DATE

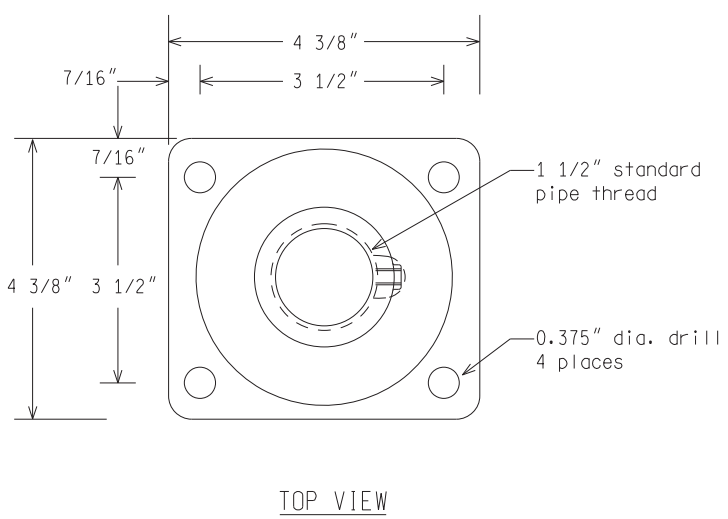
SIG-350-A

SHEET
2 of 3

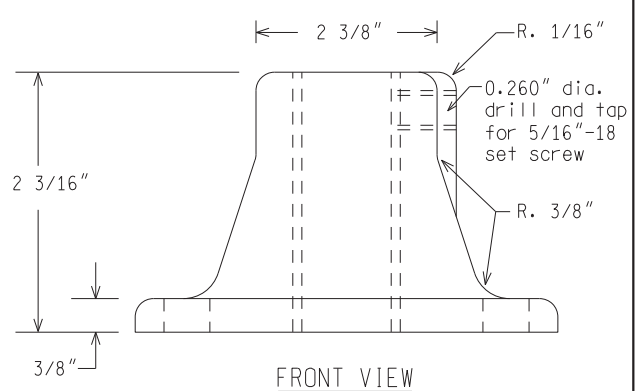


DETAIL "A"
1 1/2" NPS Metal Hub Plate
(4" Pipe)

- NOTES:**
- 1) All fillets to be 1 1/8", unless specified
 - 2) Mount to sign housing with four (4) 5/16"-18 x 1 1/4" stainless steel hex machine screw bolts, hex locknuts, flat washers, and bonded seal washers
 - 3) All hardware to be AISI 300 series stainless steel



TOP VIEW



FRONT VIEW

DETAIL "B"
1 1/2" Threaded Metal Hub Plate

NOT TO SCALE

MICHIGAN DEPARTMENT OF TRANSPORTATION BUREAU OF HIGHWAYS DELIVERY STANDARD PLAN	(SPECIAL DETAIL) FHWA APPROVAL DATE		SIG-350-A	SHEET 3 of 3
File: RefDoc/TR/Signals/Web/Sp Det/Fin/SIG350A.dgn	Rev. 02/16/17	PLAN DATE		