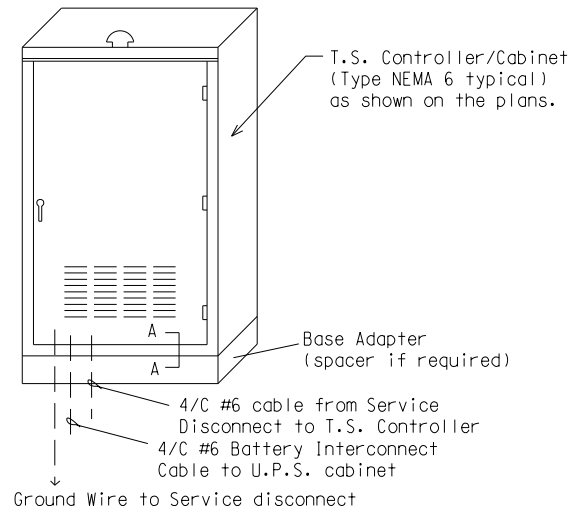
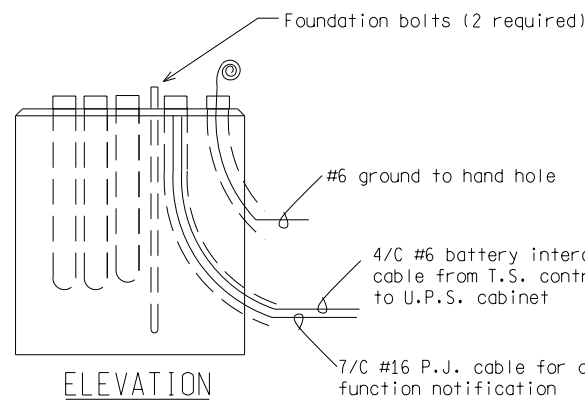


U.P.S. CABINET BASE MOUNTED

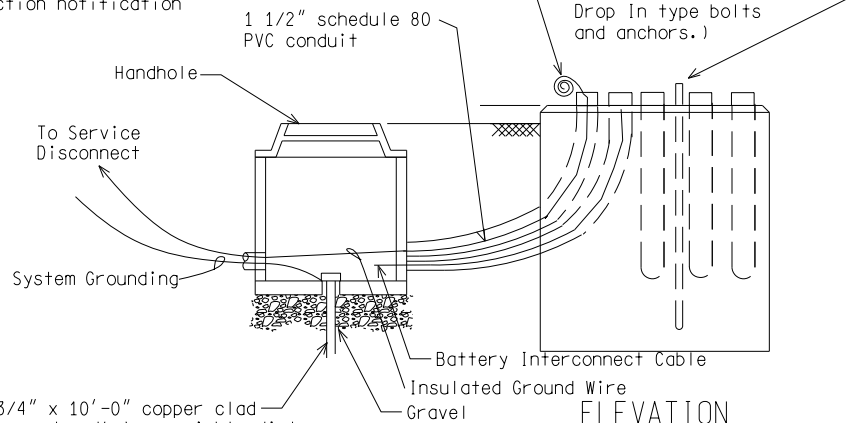


TRAFFIC SIGNAL CONTROLLER/CABINET BASE MOUNTED



CABINET FOUNDATION

- NOTE:**
1. Refer to SIG-011-A for Controller Cabinet Mounting on Steel or Wood Pole
 2. Refer to SIG-045-A for T.S. Base Mounted Controller Cabinet foundations.
 3. Refer to SIG-153-A for strain pole foundation details.



CABINET FOUNDATION

NOT TO SCALE

File: RefDoc/TR/Signals/Web/Sp Det/F in/SIG140A.dgn Rev. 02/16/17



PREPARED BY
TRAFFIC AND SAFETY

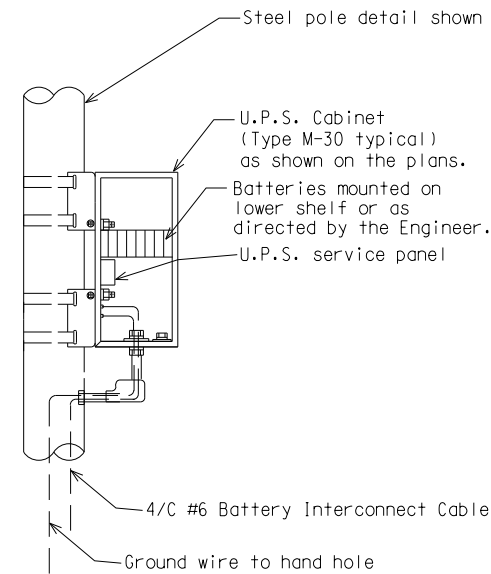
DRAWN BY:
CHECKED BY:

ENGINEER OF DELIVERY

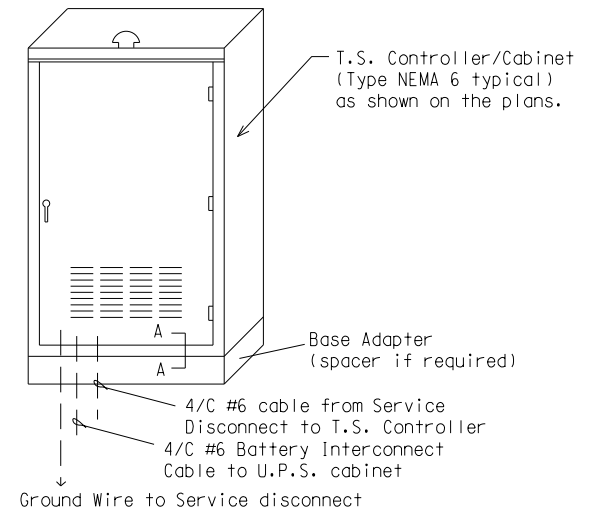
ENGINEER OF DEVELOPMENT
(SPECIAL DETAIL)
FHWA APPROVAL DATE

MICHIGAN DEPARTMENT OF TRANSPORTATION
BUREAU OF HIGHWAYS DELIVERY STANDARD PLAN FOR
**TRAFFIC SIGNAL
UNINTERRUPTIBLE POWER SYSTEM**

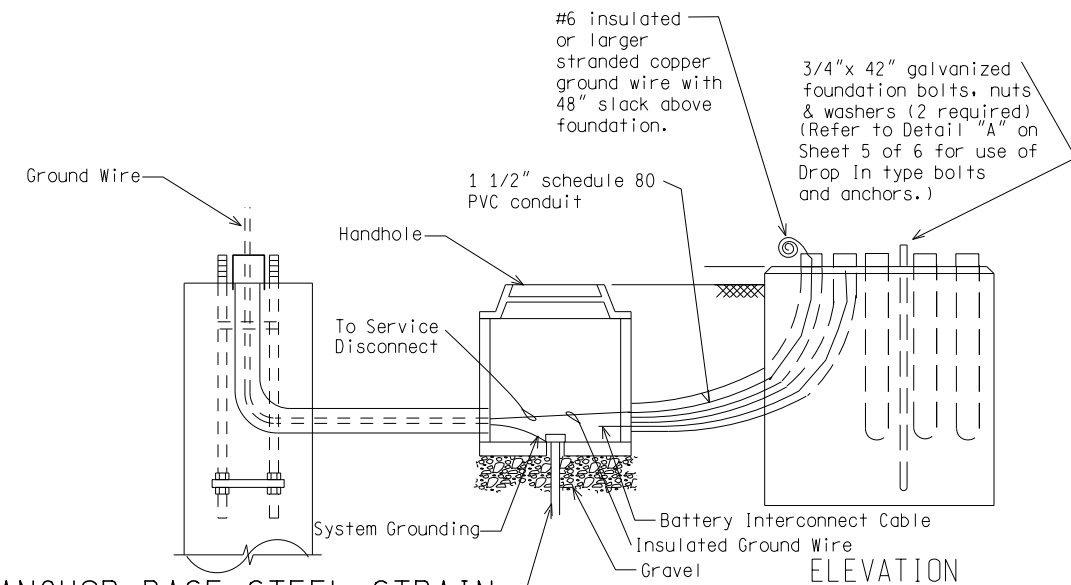
PLAN DATE SIG-140-A SHEET 1 of 2



U.P.S. CABINET POLE MOUNTED



TRAFFIC SIGNAL CONTROLLER/CABINET BASE MOUNTED



ANCHOR BASE STEEL STRAIN POLE FOUNDATION

CABINET FOUNDATION

NOT TO SCALE

MICHIGAN DEPARTMENT OF TRANSPORTATION
BUREAU OF HIGHWAYS DELIVERY STANDARD PLAN (SPECIAL DETAIL)
FHWA APPROVAL DATE

File: RefDoc/TR/Signals/Web/Sp Det/F in/SIG140A.dgn Rev. 02/16/17

PLAN DATE SIG-140-A SHEET 2 of 2

AS-LET PLAN REVISIONS

NO.	DATE	AUTH	DESCRIPTION



FILE:

DATE:
DESIGN UNIT:
TSC:

CS:
JN:

DRAWING SHEET