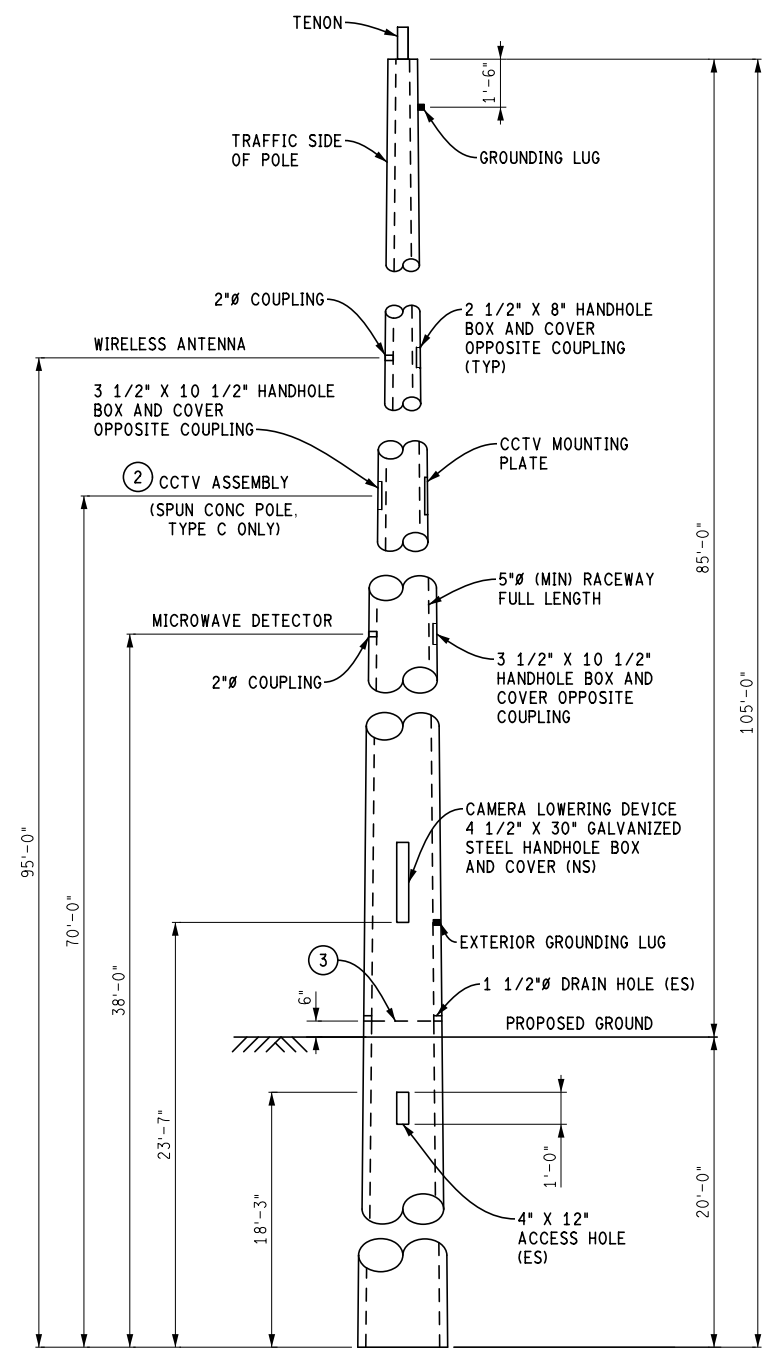


FOUNDATION DETAIL
(FILL OR CUT SLOPE)

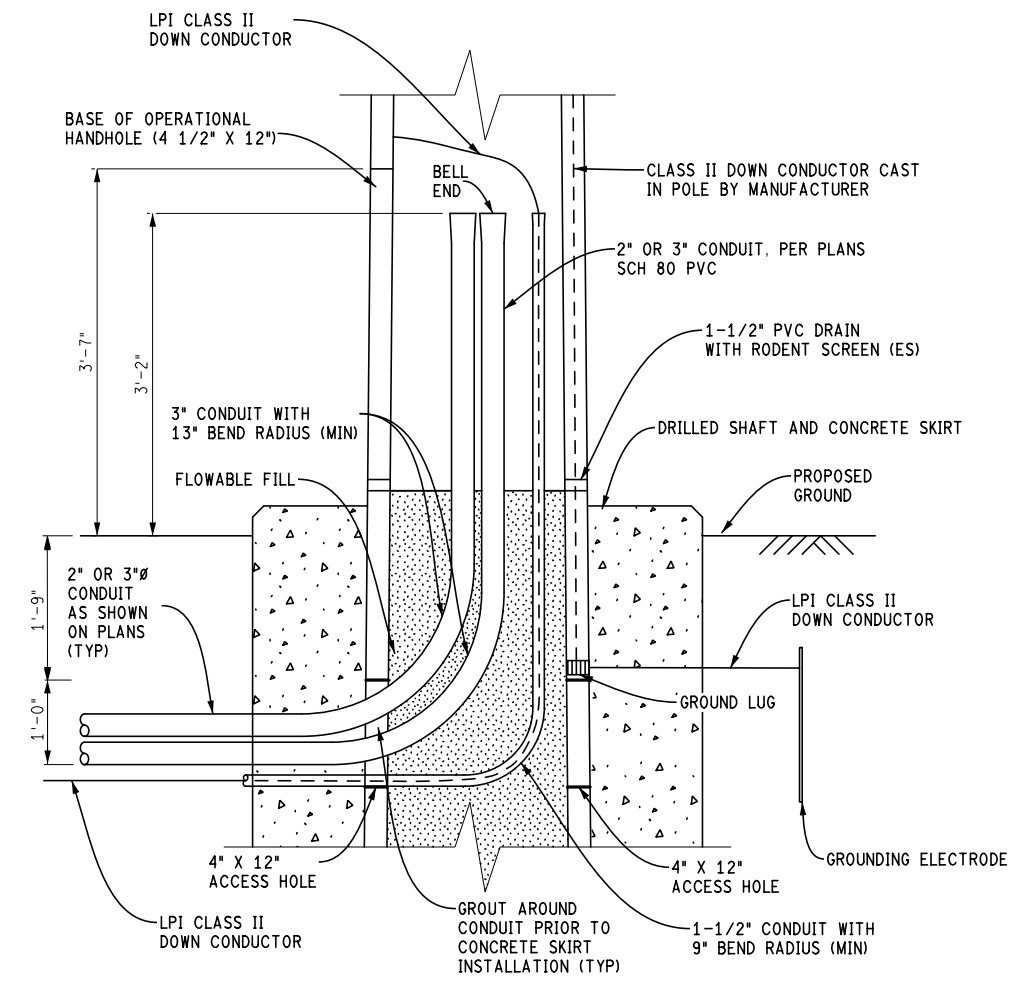
CONDUIT AND FLOWABLE FILL NOT SHOWN FOR CLARITY.

- 1 VERIFY THAT 1:1 MAX SLOPE MEETS CLEAR ZONE REQUIREMENTS OR PROVIDE PROTECTION.



FOUNDATION DETAIL

- ES DENOTES EACH SIDE.
- FS DENOTES FAR SIDE.
- NS DENOTES NEAR SIDE.
- CAPS SHALL BE PROVIDED FOR ALL COUPLINGS.
- CCTV CAMERA ASSEMBLY, WIRELESS ANTENNA, MICROWAVE DETECTOR AND LIGHTNING CONDUCTOR ARE NOT SHOWN FOR CLARITY.
- GROUNDING LUGS ARE FOR LIGHTNING PROTECTION. THE CONDUCTOR SHALL BE CAST INSIDE THE POLE.
- 2 IF CALLED FOR ON PLANS. OMIT CCTV MOUNTING PLATE AND HANDHOLE IF NOT CALLED FOR ON PLANS. SEE PLANS FOR ORIENTATION ON POLE.
- 3 FILL THE INTERIOR VOID WITH NON-STRUCTURAL FLOWABLE FILL FROM THE BUTT OF THE POLE TO THE ELEVATION SHOWN. SEE CONDUIT DETAIL.



CONDUIT DETAIL

CONDUIT SWEEPS TO BE FIELD INSTALLED PRIOR TO POLE ERECTION. INSTALL A SWEEP TO EACH COUPLING THAT WILL HAVE CONDUIT ATTACHED AS SHOWN ON PLANS.

SEE STANDARD PLAN R-80 SERIES FOR RODENT SCREEN DETAILS. SCREENS SHALL BE PERMANENTLY ATTACHED TO THE POLES.

FINAL ROW PLAN REVISIONS		(SUBMITTAL DATE:)	
NO.	DATE	AUTH	DESCRIPTION



NO SCALE

PRINT DATE: 7/31/2019
FILE: Spun Conc Pole- 7-31-2019 ITS033B

DATE:
DESIGN UNIT:
TSC:

CS:
JN:

SPUN CONCRETE POLE
DRAWING SHEET
SHEET 1 OF 1