

"Dimensions" Size Table

A	B	C	D	E	F
18'-0"	81 3/4"	21 3/4"	84"	18°	23°
15'-0"	66"	18"	66"	18°	23°
12'-0"	50 3/8"	14 1/4"	54"	18°	23°
9'-0"	36 3/4"	12"	36"	18°	23°
6'-0"	23"	10"	18"	18°	27°

NOT TO SCALE

File: RefDoc/TR/Signals/Web/Sp Det/F in/SIG060A.dgn Rev. 02/16/17



PREPARED BY
TRAFFIC AND SAFETY

DRAWN BY: JAM
CHECKED BY:

ENGINEER OF DELIVERY

ENGINEER OF DEVELOPMENT

(SPECIAL DETAIL)
FHWA APPROVAL DATE

MICHIGAN DEPARTMENT OF TRANSPORTATION
BUREAU OF HIGHWAYS DELIVERY STANDARD PLAN FOR
STEEL TRUSS BRACKETS

SIG-060-A

SHEET
1 of 3

AS-LET PLAN REVISIONS					
NO.	DATE	AUTH	DESCRIPTION	NO.	DATE



FILE:

DATE:

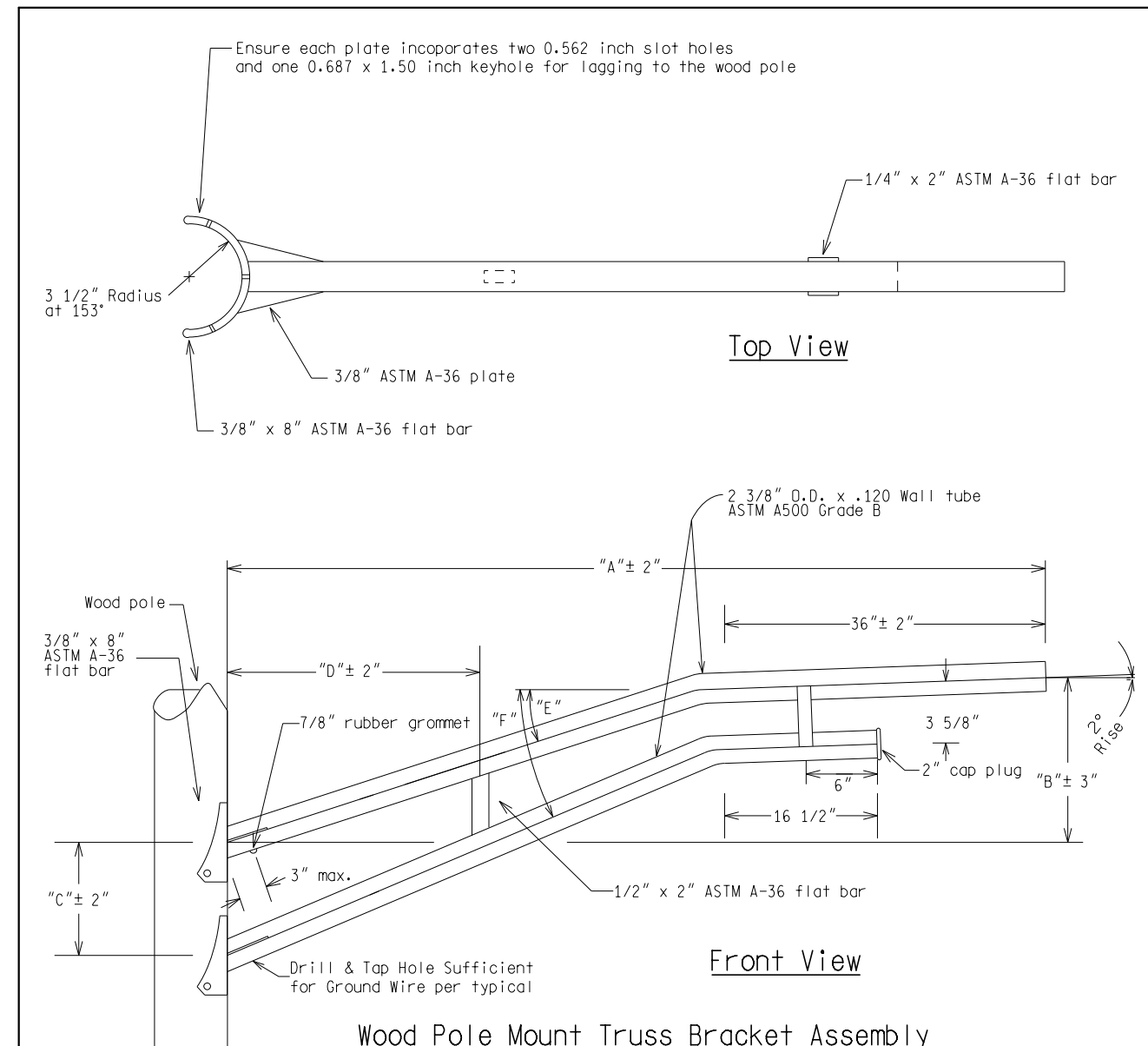
DESIGN UNIT:

TSC:

CS:

JN:

DRAWING SHEET



"Dimensions" Size Table

A	B	C	D	E	F
15'-0"	47 3/4"	18"	66"	18°	23°
12'-0"	36"	14 3/8"	48"	18°	23°
9'-0"	26 3/8"	12"	36"	18°	23°
6'-0"	12 1/2"	8 1/2"	18"	18°	23°

NOT TO SCALE

MICHIGAN DEPARTMENT OF TRANSPORTATION
BUREAU OF HIGHWAYS DELIVERY STANDARD PLAN

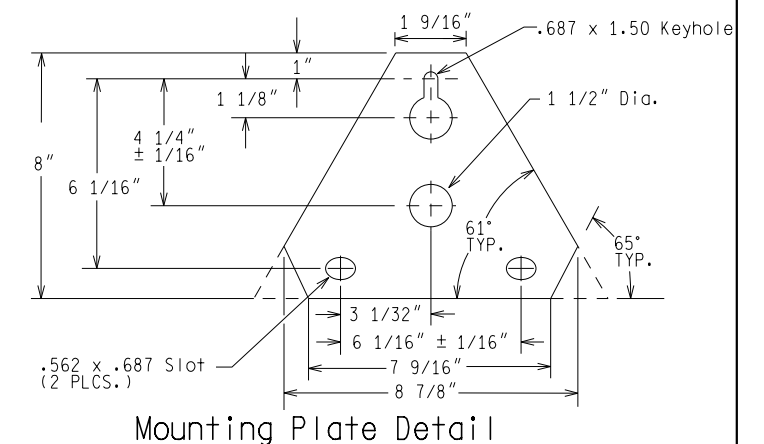
FHWA APPROVAL DATE

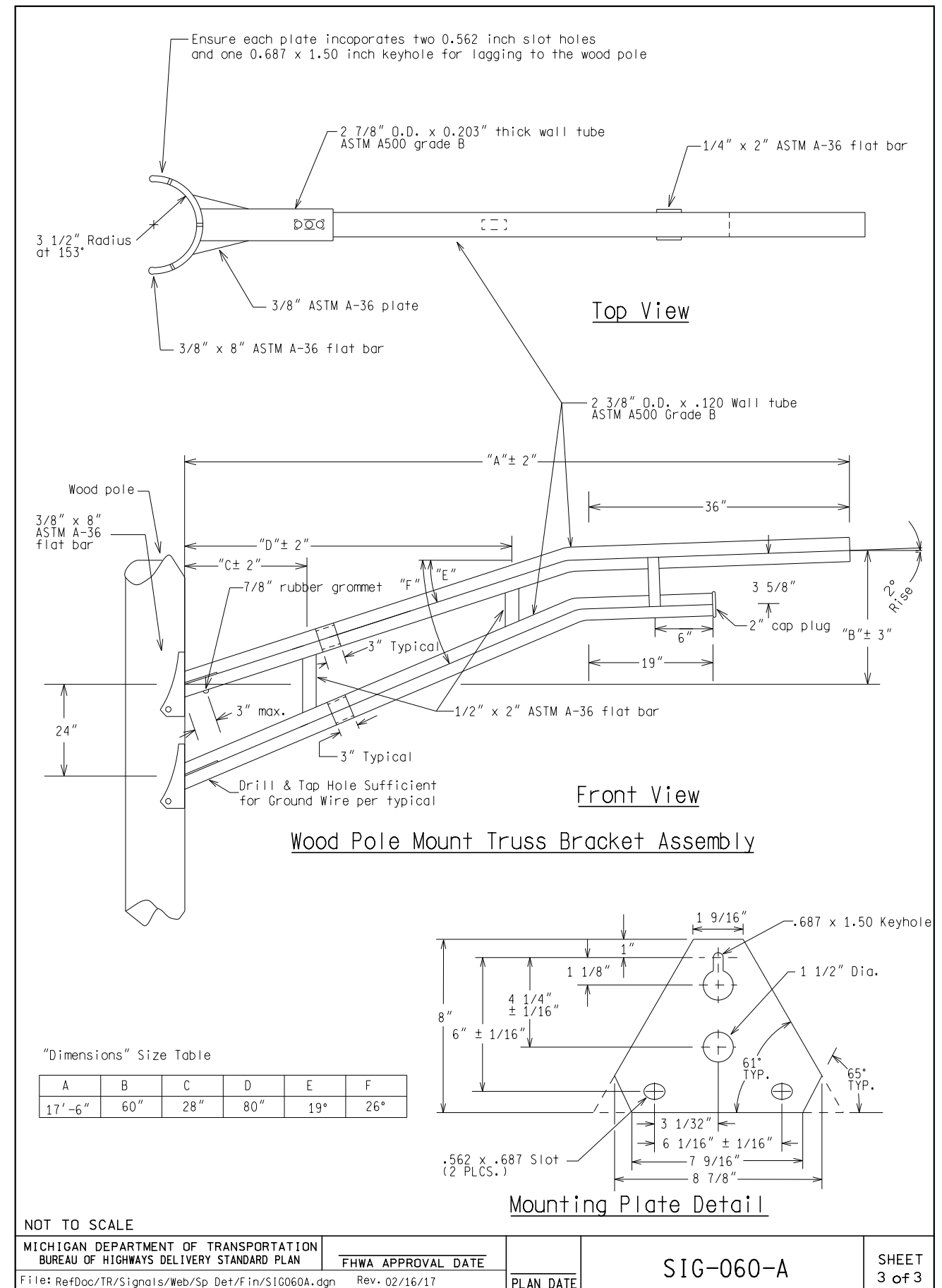
File: RefDoc/TR/Signals/Web/Sp Det/F in/SIG060A.dgn Rev. 02/16/17

PLAN DATE

SIG-060-A

SHEET
2 of 3





AS-LET PLAN REVISIONS							
NO.	DATE	AUTH	DESCRIPTION	NO.	DATE	AUTH	DESCRIPTION



DATE:	CS:	DRAWING	SHEET
DESIGN UNIT:	JN:		
TSC:			