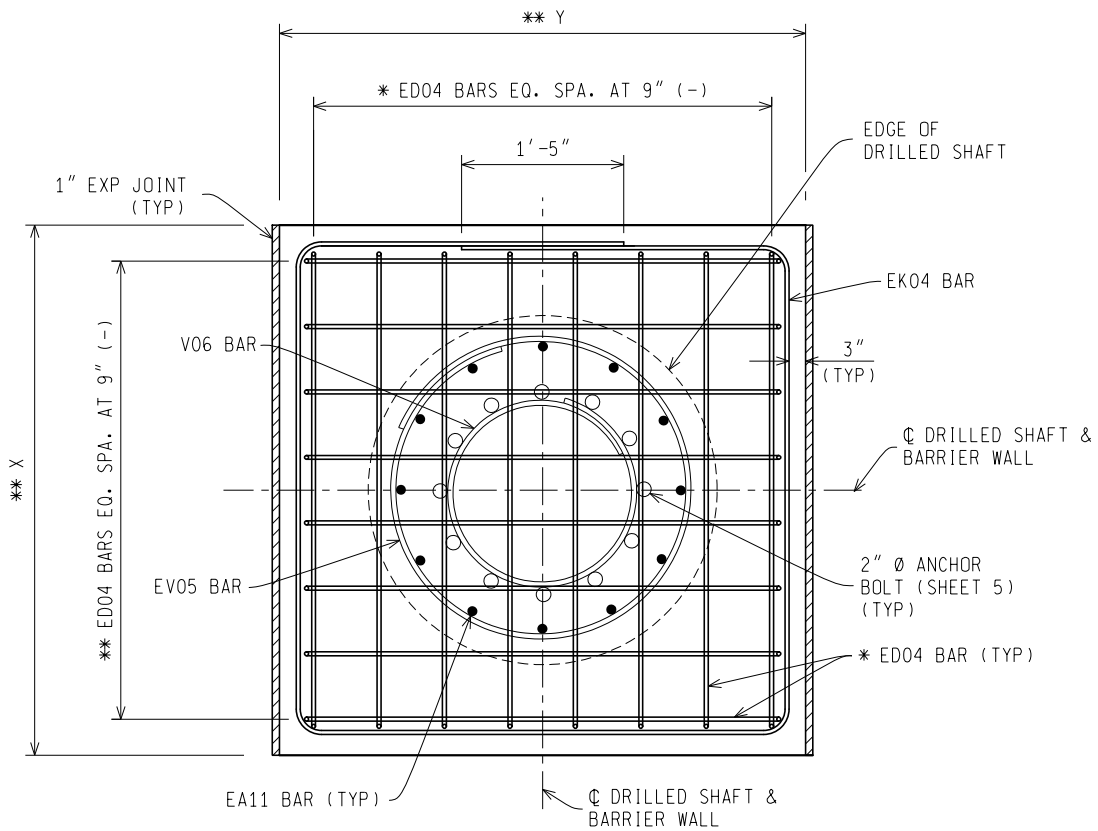


PLAN VIEW - TYPE A DRILLED SHAFT



PLAN VIEW - TYPE B DRILLED SHAFT IN BARRIER WALL

- * CONTRACTOR TO VERIFY ED04 BARS DO NOT CONFLICT WITH ANCHOR BOLTS.
- ** CONTRACTOR TO DETERMINE DIMENSIONS FOR ED04 AND EK04 BARS BASED ON LIMITS OF REMOVAL, TYPE OF BARRIER, AND CLEAR COVER REQUIREMENTS SPECIFIED HEREIN.

Rev.

NOT TO SCALE

File: External Partnerships/ITS Program Office/ITS Standard Details/DMS Structure/ITS-032-A DMS Sign Support Foundation.dgn



PREPARED BY
DESIGN DIVISION

DRAWN BY:

CHECKED BY:

ENGINEER OF DELIVERY

ENGINEER OF DEVELOPMENT

(SPECIAL DETAIL)
FHWA APPROVAL DATE

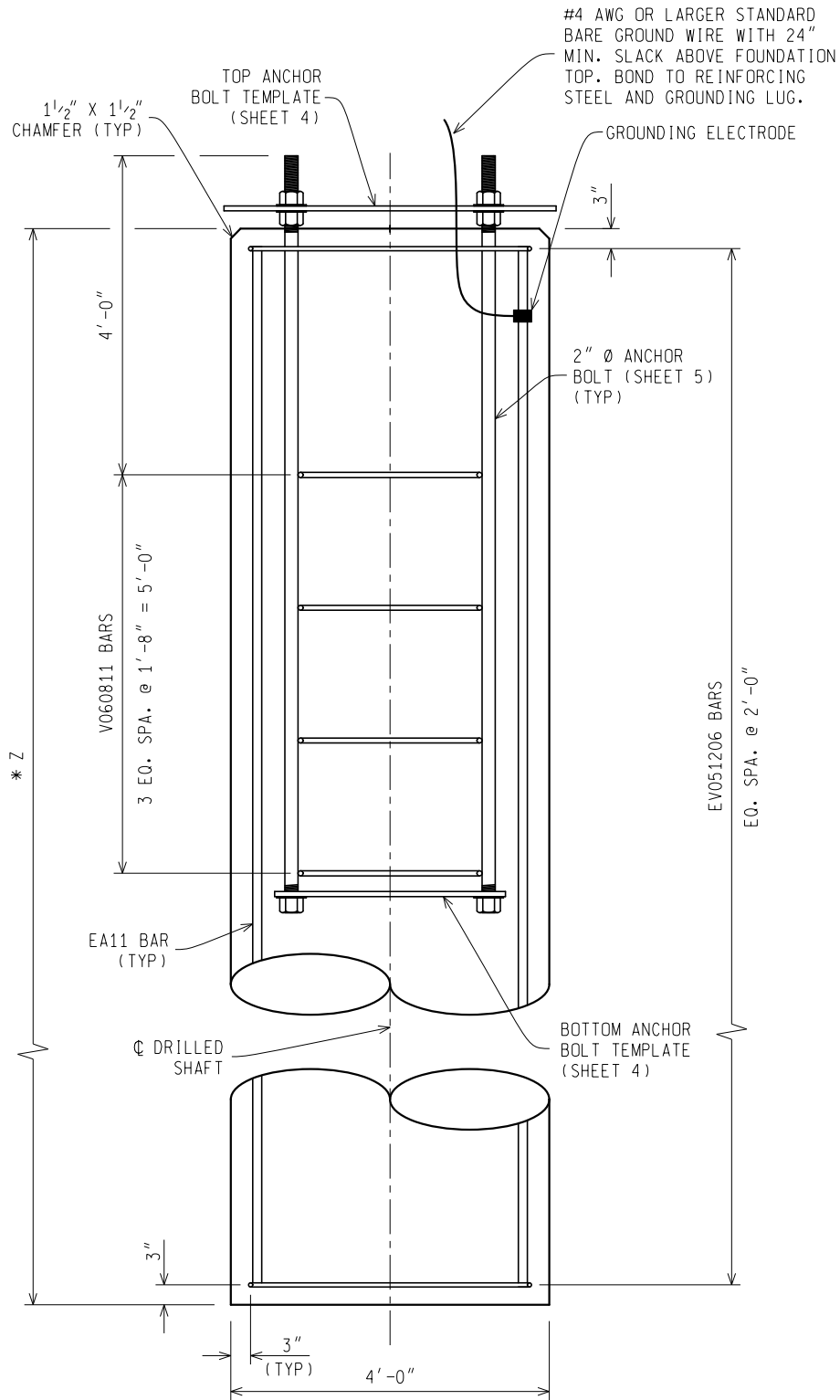
MICHIGAN DEPARTMENT OF TRANSPORTATION
BUREAU OF DEVELOPMENT STANDARD PLAN FOR

**DMS SIGN
SUPPORT FOUNDATION**

02/06/20
PLAN DATE

ITS-032-A

SHEET
1 of 6



ELEVATION VIEW - TYPE A DRILLED SHAFT

* SEE CONTRACT PLANS FOR DEPTH OF DRILLED SHAFT.

Rev.

NOT TO SCALE

File: External Partnerships/ITS Program Office/ITS Standard Details/DMS Structure/ITS-032-A DMS Sign Support Foundation.dgn

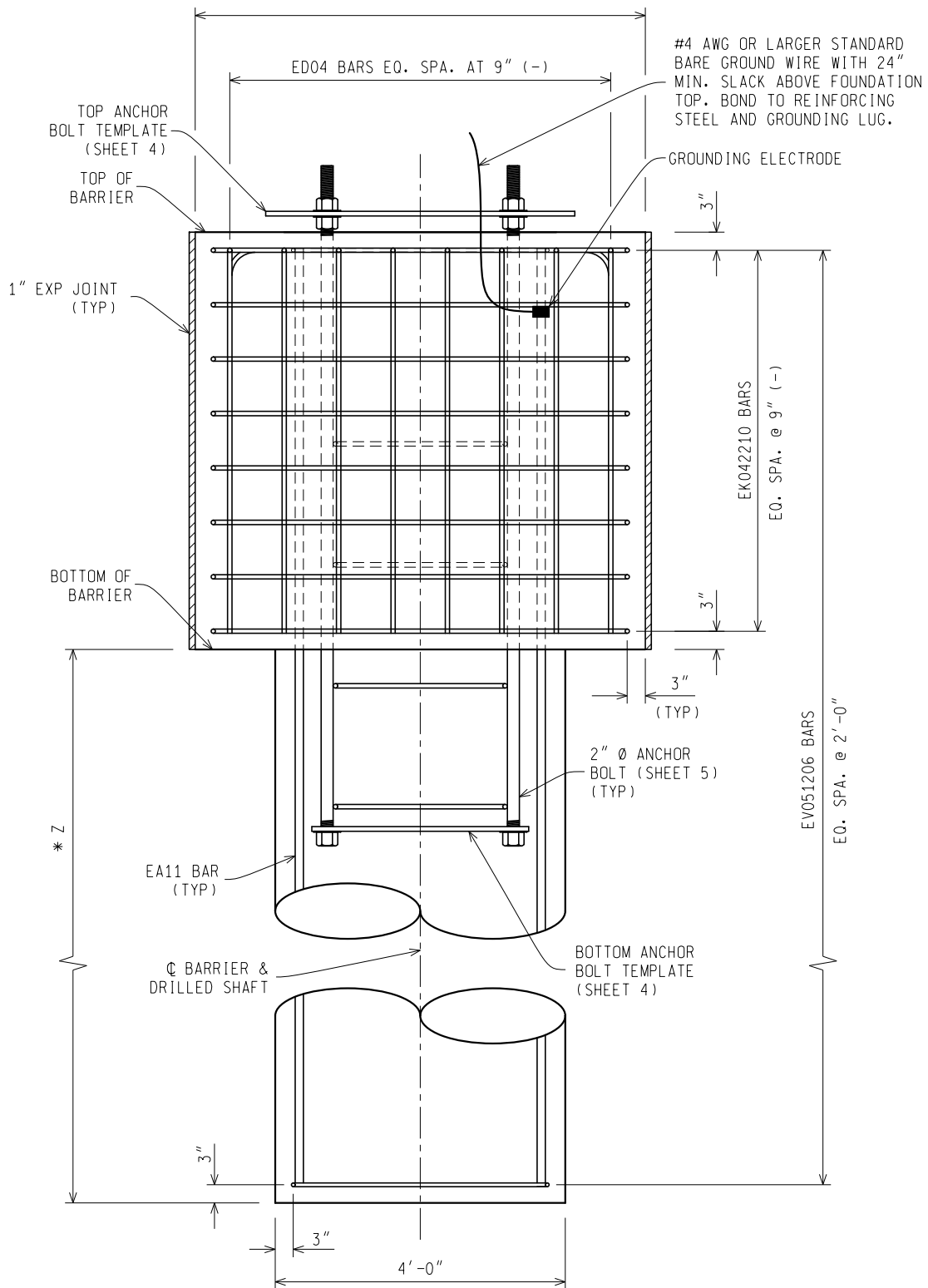
MICHIGAN DEPARTMENT OF TRANSPORTATION
BUREAU OF DEVELOPMENT STANDARD PLAN

(SPECIAL DETAIL)
FHWA APPROVAL DATE

02/06/20
PLAN DATE

ITS-032-A

SHEET
2 of 6



ELEVATION VIEW - TYPE B DRILLED SHAFT IN BARRIER WALL

* SEE CONTRACT PLANS FOR DEPTH OF DRILLED SHAFT.

Rev.

NOT TO SCALE

File: External Partnerships/ITS Program Office/ITS Standard Details/DMS Structure/ITS-032-A DMS Sign Support Foundation.dgn

MICHIGAN DEPARTMENT OF TRANSPORTATION
BUREAU OF DEVELOPMENT STANDARD PLAN

(SPECIAL DETAIL)
FHWA APPROVAL DATE

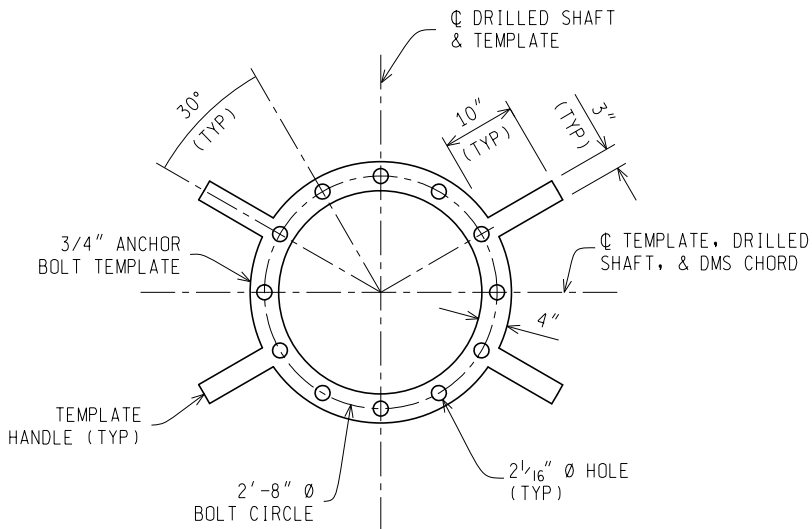
02/06/20
PLAN DATE

ITS-032-A

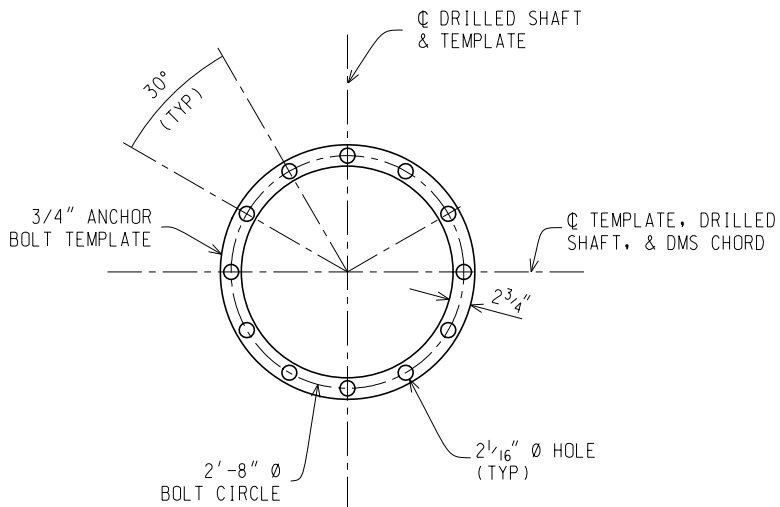
SHEET
3 of 6

NOTES:

1. THE FINISHED GRADE FOR THE PURPOSES OF ROADSIDE SIGNS INSTALLED ON SLOPES IS THE UPSLOPE SIDE OF THE DRILLED SHAFT.
2. WELD V06 ANCHOR BOLT CAGE BAR REINFORCEMENT IN ACCORDANCE WITH LATEST AWS D1.4 USING E8018 OR E9018 ELECTRODES.
3. SUBSURFACE AND GROUNDWATER INFORMATION WILL BE OBTAINED FROM THE SOIL BORING LOG INFORMATION.



TOP ANCHOR BOLT TEMPLATE DETAIL

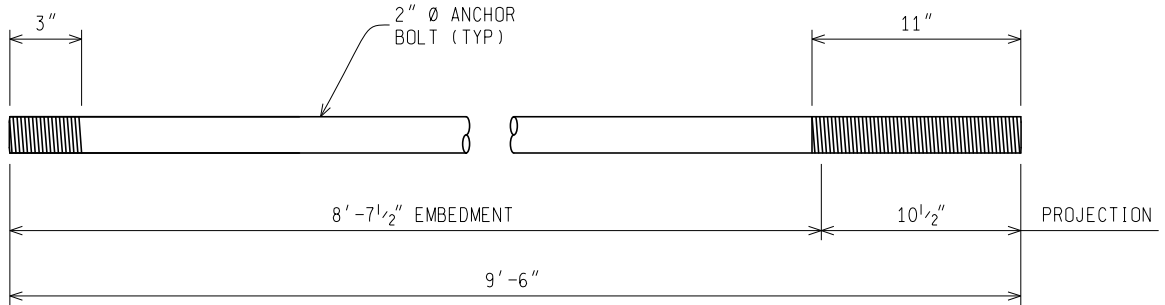


BOTTOM ANCHOR BOLT TEMPLATE DETAIL

Rev.

NOT TO SCALE

File: External Partnerships/ITS Program Office/ITS Standard Details/DMS Structure/ITS-032-A DMS Sign Support Foundation.dgn



ANCHOR BOLT DETAIL

MISCELLANEOUS QUANTITIES

(FOR INFORMATION ONLY)

- * STEEL WEIGHT = 16,398 Lbs
- CONDUIT, 1 INCH = 8.5 Ft
- CONDUIT, 3 INCH = 10.5 Ft
- CONDUIT, 1 1/2 INCH = 10.0 Ft
- ** SUBSTRUCTURE CONCRETE = 0.50 CY/Ft
- STEEL REINFORCEMENT, EPOXY COATED = 76 Lb/Ft
- SAFETY GATE = 1 Ea.

* STEEL WEIGHT INCLUDES COLUMN, CHORDS, DIAGONALS, VERTICALS, GUSSET PLATES, BASE PLATES, HORIZONTAL PLATFORM SUPPORTS, VERTICAL PLATFORM SUPPORTS, STIFFENER PLATES, U BOLTS, ANCHOR BOLTS, BOLTS FOR ALL OTHER CONNECTIONS, LADDER RUNGS, LADDER BARS, AND KICK PLATE.
COLUMN HEIGHT IS BASED ON A 32 FT DIMENSION FROM THE TOP OF THE BASE PLATE TO THE CENTER OF THE BOTTOM CHORD.

** STEEL REINFORCEMENT WEIGHT IS IN TERMS OF LBS/FT OF DRILLED SHAFT LENGTH. THIS DOES NOT INCLUDE THE REINFORCING BARS FOR THE MEDIAN BARRIER.

Rev.

NOT TO SCALE

File: External Partnerships/ITS Program Office/ITS Standard Details/DMS Structure/ITS-032-A DMS Sign Support Foundation.dgn

MICHIGAN DEPARTMENT OF TRANSPORTATION
BUREAU OF DEVELOPMENT STANDARD PLAN

(SPECIAL DETAIL)
FHWA APPROVAL DATE

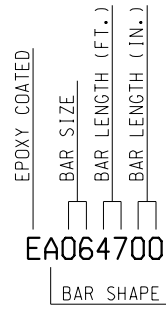
02/06/20
PLAN DATE

ITS-032-A

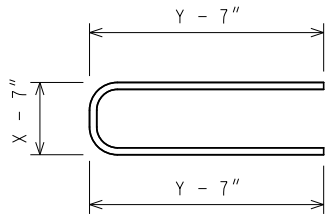
SHEET
5 of 6



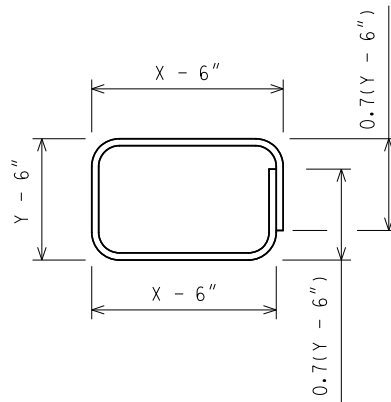
EA BAR



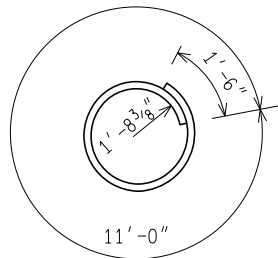
BAR LEGEND



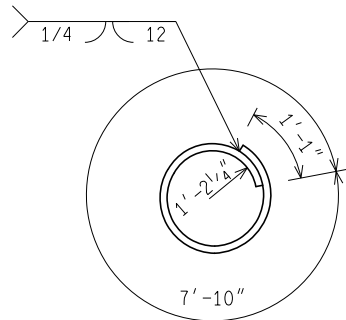
ED041509



EK042210



EV051206



V060811

REINFORCEMENT DETAILS

Rev.

NOT TO SCALE File: External Partnerships/ITS Program Office/ITS Standard Details/DMS Structure/ITS-032-A DMS Sign Support Foundation.dgn