

See detail "A" sheet 3 of 3

1 1/4" schedule 80 PVC or rigid metal conduit.

1 1/4" pulling "L" box (Type C)

Wood or plastic moulding

NOTES:

1) Exterior surface of all mounting assemblies for pedestrian signals including brackets, nuts and related hardware shall be weather-resistant black enamel.

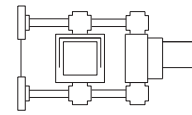
(*) For projects maintained by the Road Commission for Oakland County (RCOC), use the bottom heights and bracket assemblies as shown on SIG-028A, SIG-029A or SIG-029B for the RCOC Mounting Detail.

Grade level

9'-0" (*) see note

Use non-solder type connection

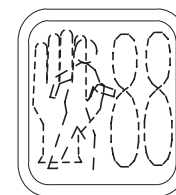
Ground rod (s)



LED ped



LED PED (filled)



Countdown LED PED (filled symbols)

WOOD POLE

OVERHEAD FEED

1 1/4" schedule 80 PVC or rigid metal conduit, shown, but apply to all conduit sizes.

Galvanized Steel 2 hole Strap

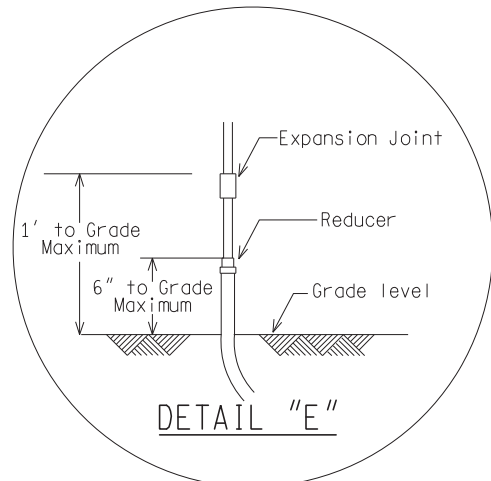
Expansion Joint

Grade level

1' to Grade Maximum

Handhole

WOOD POLE



DETAIL "E"

NOTE:

If rigid metal conduit is used, the conduit must be bonded according to the current N.E.C.

Schedule 80 PVC conduit (size of conduit as shown on plans)

UNDERGROUND ALTERNATE (COUPLING NOT SHOWN)

NOT TO SCALE

File: RefDoc/TR/Signals/Web/Sp Det/Fin/SIG341A.dgn Rev. 02/16/17



PREPARED BY
TRAFFIC AND SAFETY

DRAWN BY:

CHECKED BY:

ENGINEER OF DELIVERY

ENGINEER OF DEVELOPMENT

(SPECIAL DETAIL)

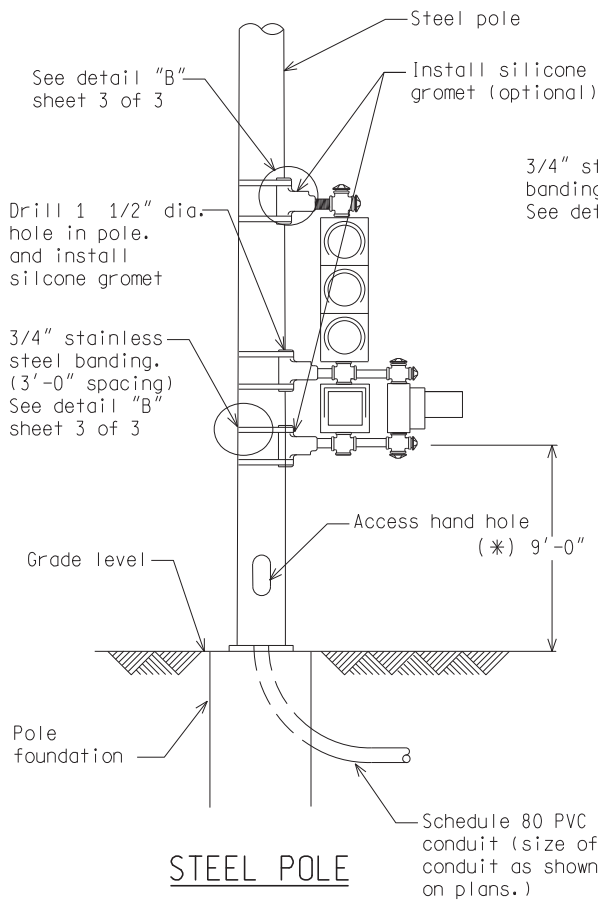
FHWA APPROVAL DATE

MICHIGAN DEPARTMENT OF TRANSPORTATION
BUREAU OF HIGHWAYS DELIVERY STANDARD PLAN FOR
**POLE MOUNTING DETAILS
FOR SIGNALS**

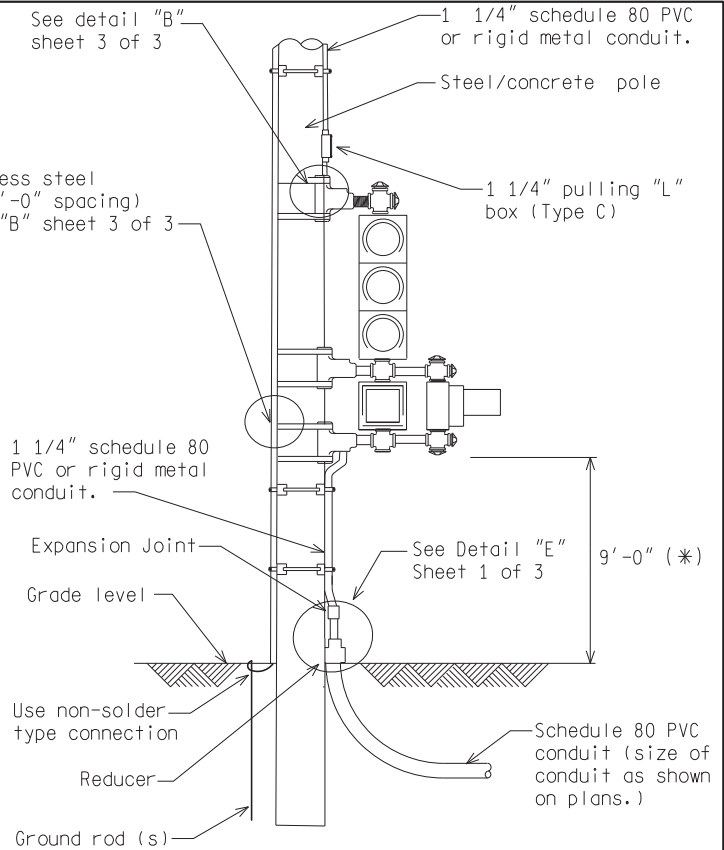
PLAN DATE

SIG-341-A

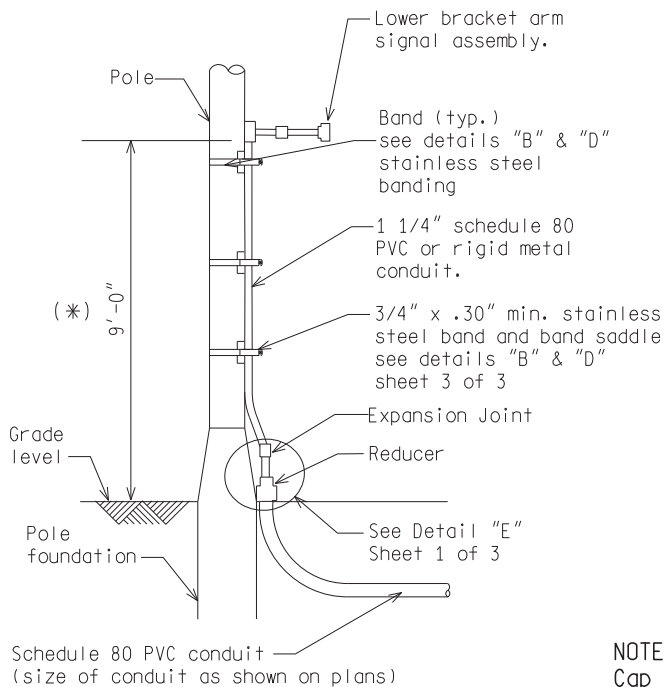
SHEET
1 of 3



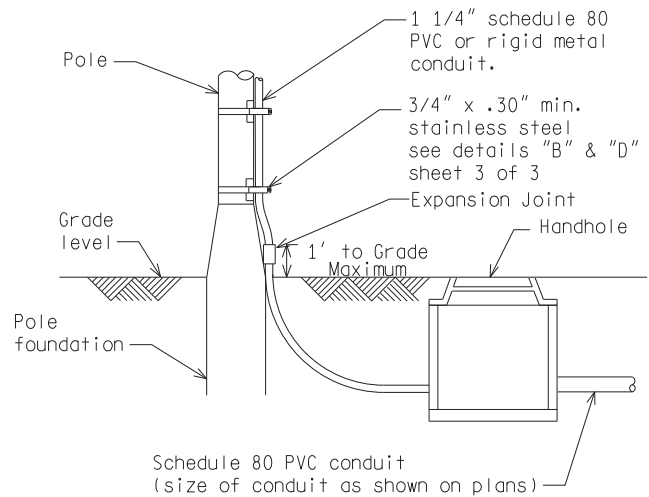
STEEL POLE



STEEL STREET LIGHT POLE OR CONCRETE POLE

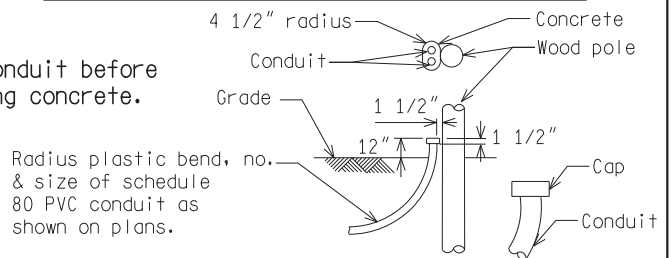


INSTALLATION OF CONDUIT ON OUTSIDE OF POLE



INSTALLATION OF CONDUIT ON OUTSIDE OF POLE (ALTERNATE)

NOTE:
Cap conduit before pouring concrete.



INSTALLATION OF CONDUIT AT CABLE POLE

(* Refer to Note 2 on Sheet 1 of 3.

NOT TO SCALE

MICHIGAN DEPARTMENT OF TRANSPORTATION
BUREAU OF HIGHWAYS DELIVERY STANDARD PLAN

(SPECIAL DETAIL)
FHWA APPROVAL DATE

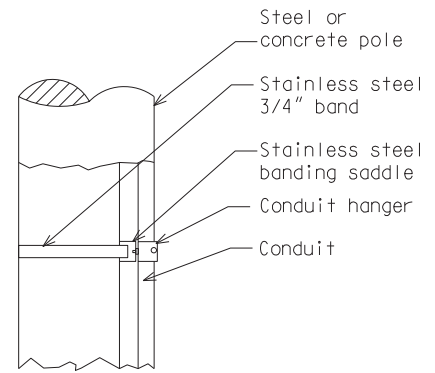
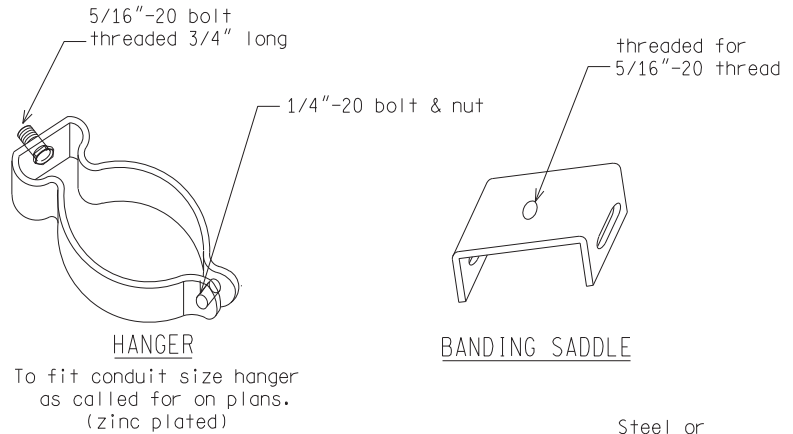
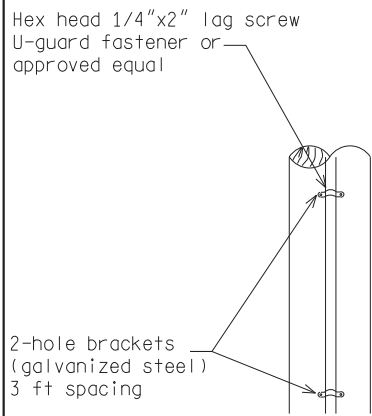
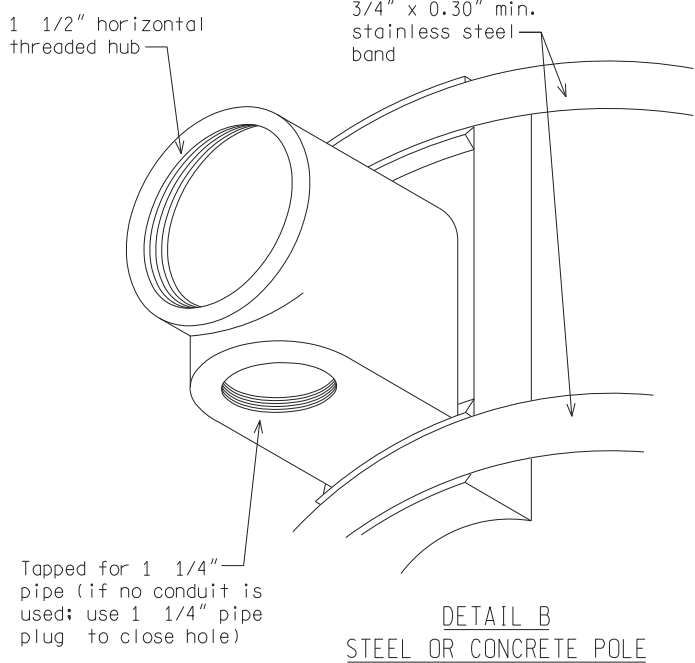
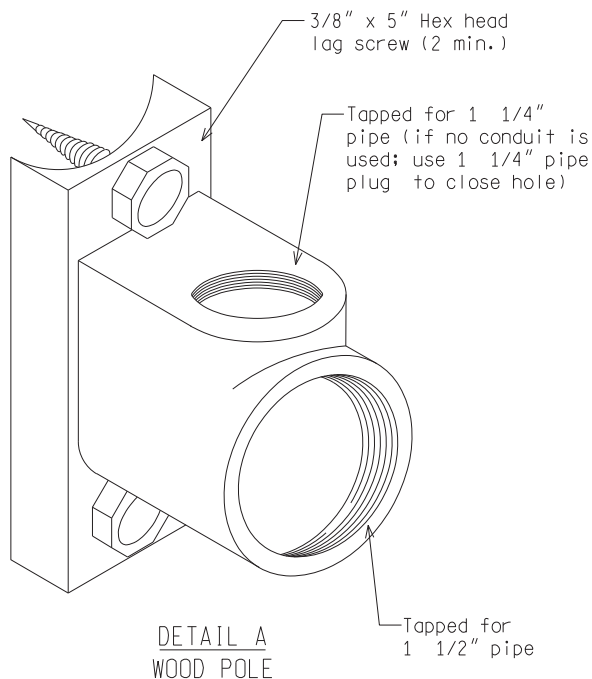
File: RefDoc/TR/Signals/Web/Sp Det/Fin/SIG341A.dgn

Rev. 02/16/17

PLAN DATE

SIG-341-A

SHEET
2 of 3



NOTES:

- 1) Install 3/4" x 10'-0" copper clad ground rod (s) as required to provide less than 10 ohm resistance to ground. install #6 min. copper wires from ground rod (s) to span wire at each supporting pole using non-solder type connections for span wire ground.
- 2) Use conduit size specified (min.) unless current N.E.C. indicates a larger size is required.

NOT TO SCALE

MICHIGAN DEPARTMENT OF TRANSPORTATION BUREAU OF HIGHWAYS DELIVERY STANDARD PLAN	(SPECIAL DETAIL) FHWA APPROVAL DATE		SIG-341-A	SHEET 3 of 3
File: RefDoc/TR/Signals/Web/Sp Det/Fin/SIG341A.dgn Rev. 02/16/17	PLAN DATE			