

SPAN WIRE MOUNTED VIDEO DETECTION CAMERA

NOT TO SCALE

File: RefDoc/TR/Signals/Web/Sp Det/Fin/SIG432A.dgn Rev.



PREPARED BY
TRAFFIC AND SAFETY

DRAWN BY: DSP

CHECKED BY:

ENGINEER OF DELIVERY

ENGINEER OF DEVELOPMENT

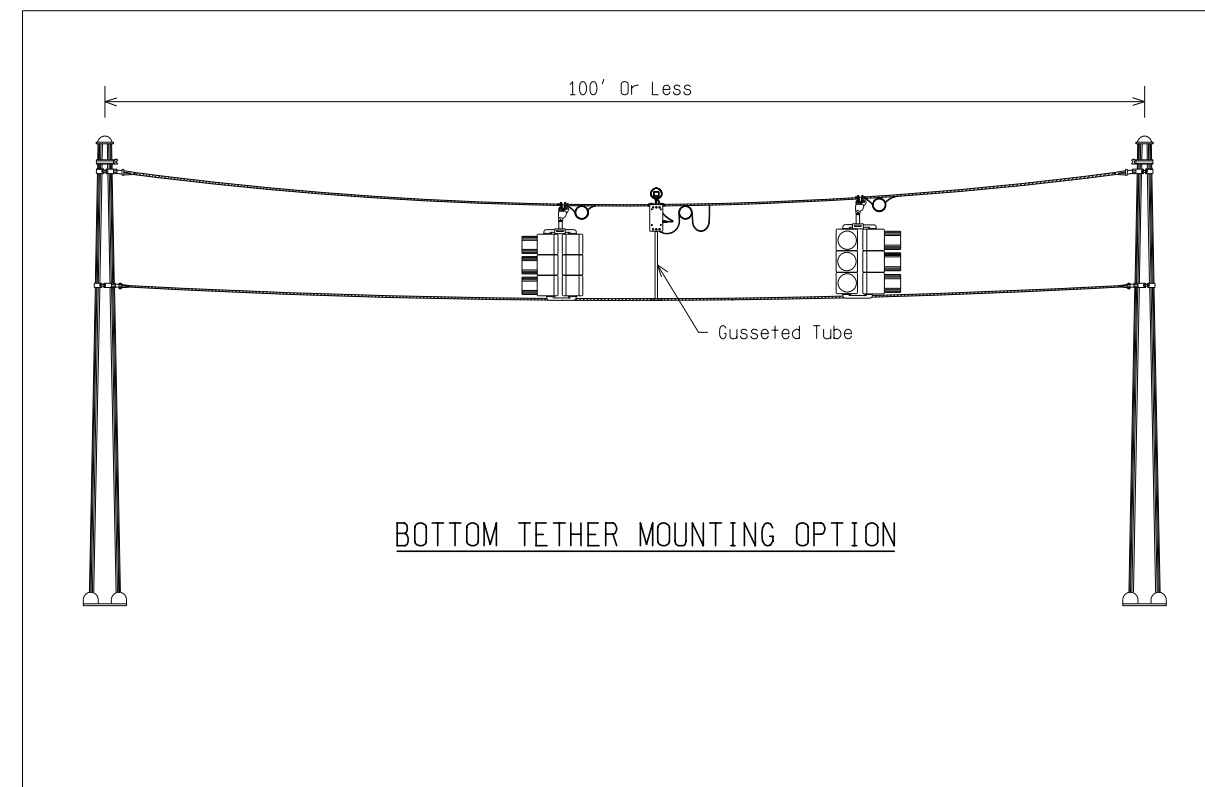
FHWA APPROVAL DATE

MICHIGAN DEPARTMENT OF TRANSPORTATION
BUREAU OF HIGHWAYS DELIVERY STANDARD PLAN FOR
SPAN WIRE MOUNTED
VIDEO DETECTION CAMERA

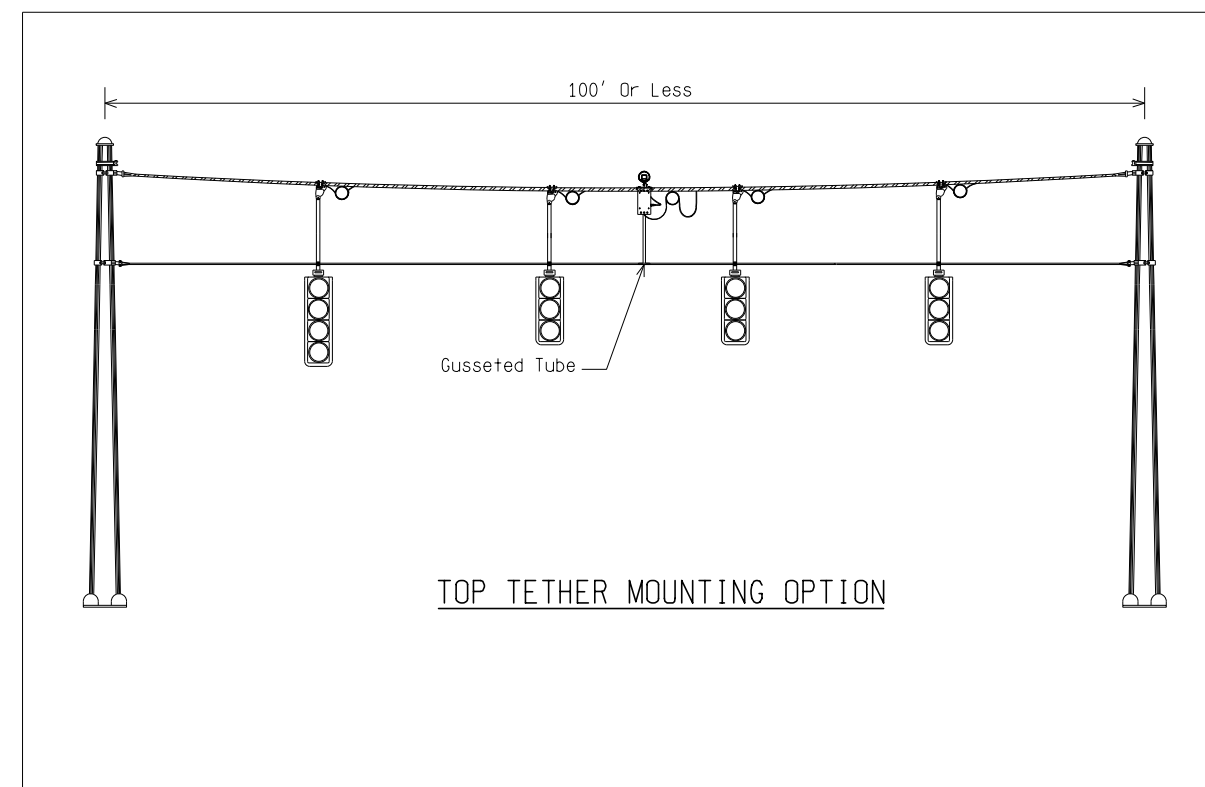
02/16/17
PLAN DATE

SIG-432-A

SHEET
1 of 3



BOTTOM TETHER MOUNTING OPTION



TOP TETHER MOUNTING OPTION

NOT TO SCALE

MICHIGAN DEPARTMENT OF TRANSPORTATION
BUREAU OF HIGHWAYS DELIVERY STANDARD PLAN

(SPECIAL DETAIL)
FHWA APPROVAL DATE

2/16/17
PLAN DATE

SIG-432-A

SHEET
2 of 3

File: RefDoc/TR/Signals/Web/Sp Det/Fin/SIG432A.dgn Rev.

AS-LET PLAN REVISIONS

NO.	DATE	AUTH	DESCRIPTION	NO.	DATE	AUTH	DESCRIPTION

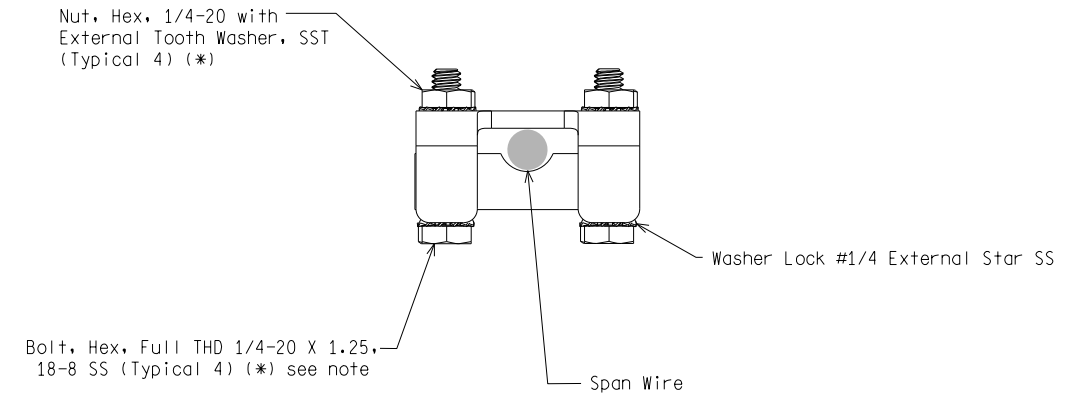


FILE:

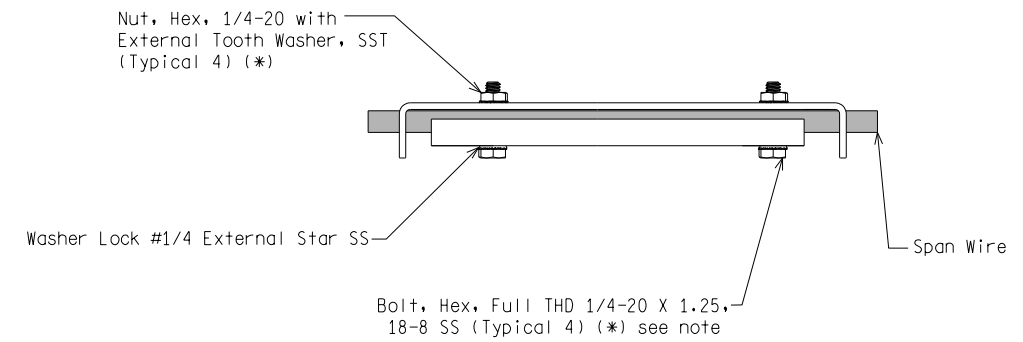
DATE:
DESIGN UNIT:
TSC:

CS:
JN:

DRAWING SHEET



SPAN WIRE CONNECTION BRACKET, FRONT VIEW



SPAN WIRE CONNECTION BRACKET, SIDE VIEW

(*) NOTE:
 For Span Wires over 1/2" to 7/8" use Bolt, Hex HD,
 Full THD 1/4-20 X 1.75 LG, SST.

NOT TO SCALE

MICHIGAN DEPARTMENT OF TRANSPORTATION BUREAU OF HIGHWAYS DELIVERY STANDARD PLAN	(SPECIAL DETAIL) FHWA APPROVAL DATE	02/16/17 PLAN DATE	SIG-432-A	SHEET 3 of 3
File: RefDoc/TR/Signals/Web/Sp Det/Fin/SIG432A.dgn Rev.				

AS-LET PLAN REVISIONS							
NO.	DATE	AUTH	DESCRIPTION	NO.	DATE	AUTH	DESCRIPTION



DATE:	CS:	DRAWING	SHEET
DESIGN UNIT:	JN:		
TSC:			
FILE:			