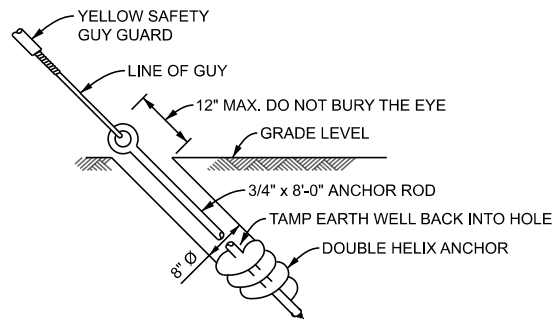
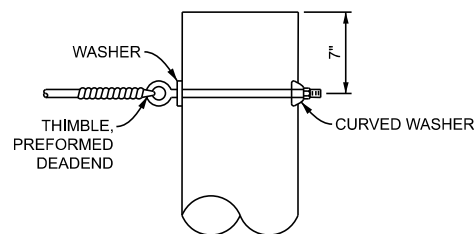


A DETAIL - ANCHOR GUY SLOPE LIMITS
N.T.S.

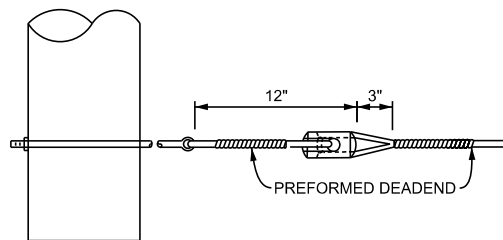


NOTE:
1. USE DOUBLE HELIX ANCHOR ACCORDING TO SOIL CONDITION AS DIRECTED BY THE ENGINEER.

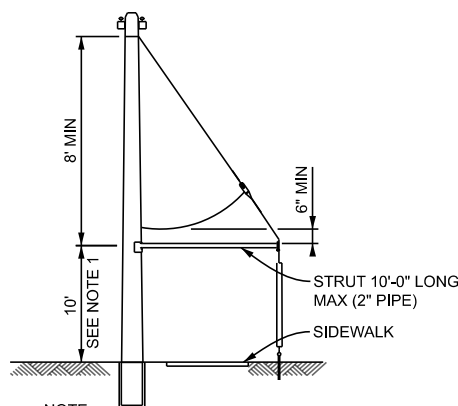
B DETAIL - GUY ANCHOR
N.T.S.



C DETAIL - POLE GUY
N.T.S.

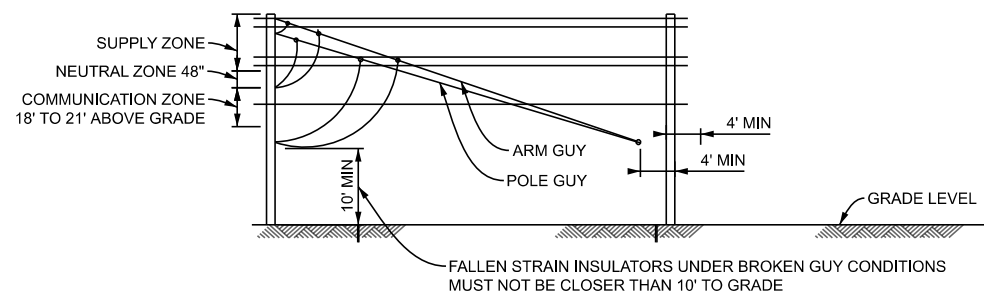


E DETAIL - ARM GUY
N.T.S.

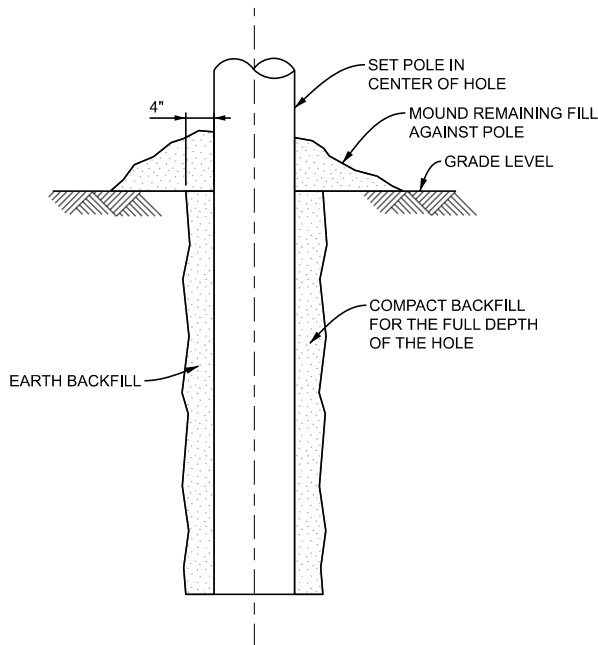


NOTE:
1. THIS DIMENSION TO BE 10' UNLESS OTHERWISE SPECIFIED.

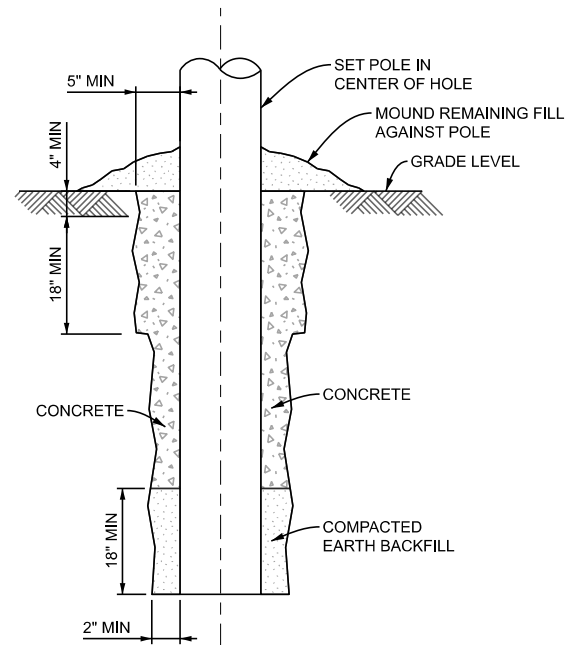
D DETAIL - GUY STRUT
N.T.S.



F DETAIL - STRAIN INSULATOR POSITIONS IN GUY WIRES
N.T.S.



G DETAIL - WOOD POLE INSTALLATION
N.T.S.



H SELF SUPPORTING
DETAIL - WOOD POLE IN CONCRETE
N.T.S.

WOOD POLE SETTING DEPTHS	
POLE HEIGHT	SETTING DEPTH
30'	6.0'
35'	6.0'
40'	6.0'
45'	6.5'
50'	7.0'
55'	7.5'
60'	8.0'

NOTES:
1. REFERENCE STANDARD SPECIFICATIONS FOR CONSTRUCTION SECTION 819.03.

APPROVED BY: _____
DIRECTOR, BUREAU OF FIELD SERVICES

APPROVED BY: _____
DIRECTOR, BUREAU OF DEVELOPMENT

MDOT
Michigan Department of Transportation

DEPARTMENT DIRECTOR
BRADLEY C. WIEFERICH, PE

(SPECIAL DETAIL)
FHWA APPROVAL

10/29/2024
PLAN DATE

SIG-050-A

SHEET
1 OF 2

MDOT
Michigan Department of Transportation

DEPARTMENT DIRECTOR
BRADLEY C. WIEFERICH, PE

(SPECIAL DETAIL)
FHWA APPROVAL

10/29/2024
PLAN DATE

SIG-050-A

SHEET
2 OF 2

SECT