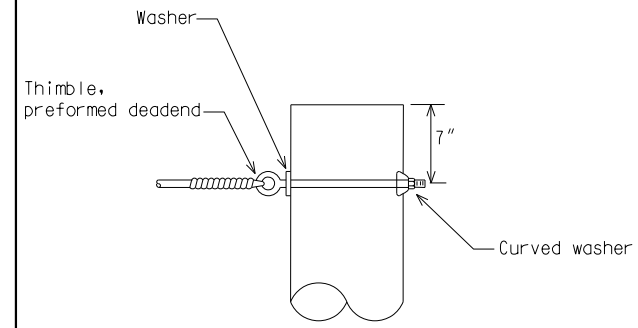
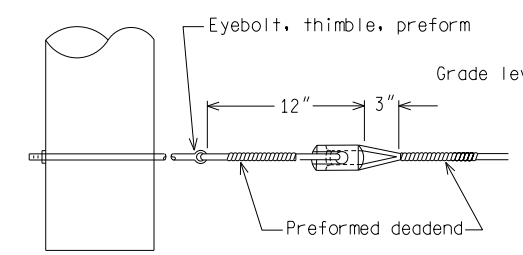


SLOPE LIMITS FOR ANCHOR GUYS

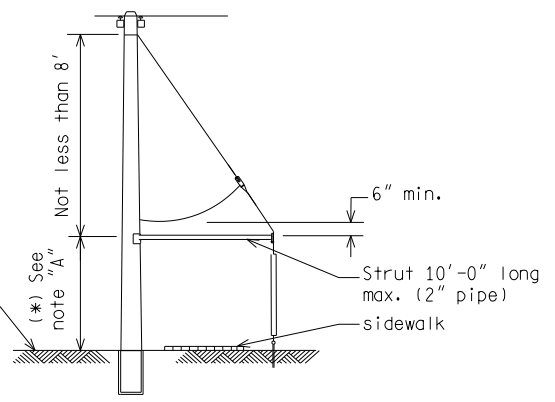
NOTE:
Use screw anchor or Double Helix anchor according to soil condition as directed by the Engineer.



POLE GUY

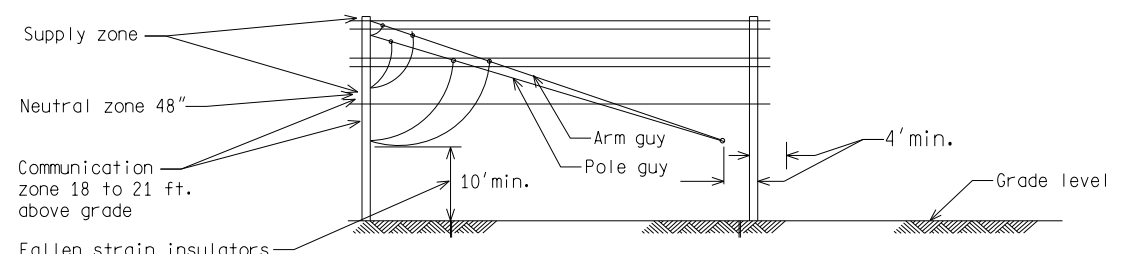


ARM GUY



GUY STRUT

(* NOTE: "A"
This dimension to be 10' unless otherwise specified.



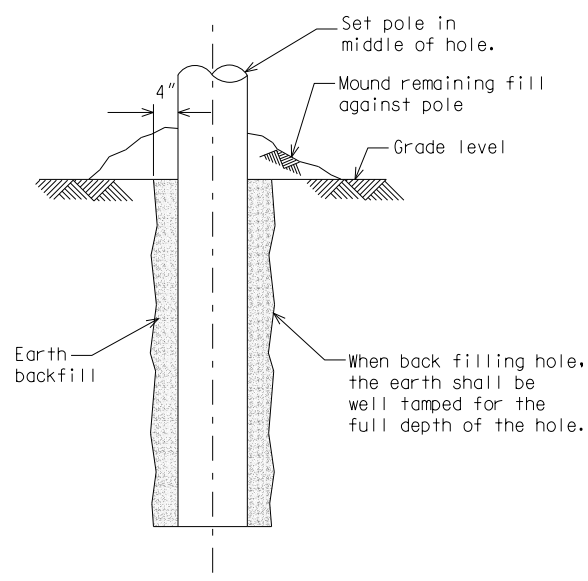
STRAIN INSULATOR POSITIONS IN GUY WIRES

Fallen strain insulators under broken guy conditions must not be closer than 10ft. to grade.

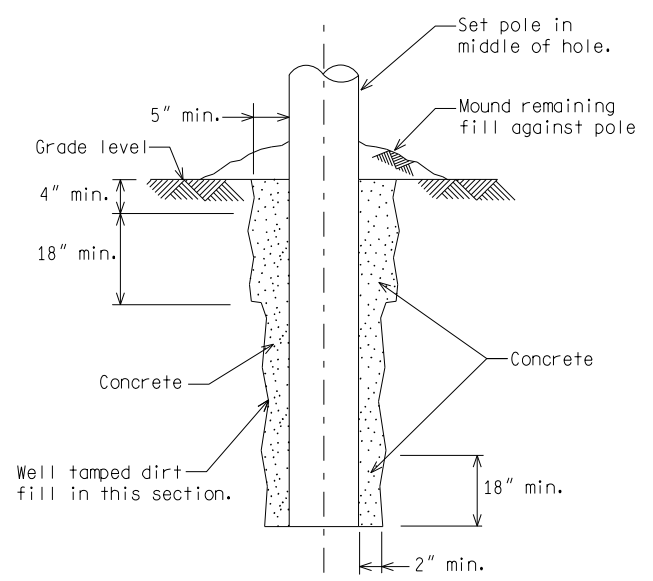
NOT TO SCALE

File: RefDoc/TR/Signals/Web/Sp Det/F in/SIG050A.dgn Rev. 02/16/17

<p>MICHIGAN DEPARTMENT OF TRANSPORTATION BUREAU OF HIGHWAYS DELIVERY STANDARD PLAN FOR</p>	ENGINEER OF DELIVERY	<p>WOOD POLE GUYS AND SETTING DEPTH</p>	SHEET 1 of 2
	ENGINEER OF DEVELOPMENT		
<p>PREPARED BY TRAFFIC AND SAFETY</p> <p>DRAWN BY: DJF</p> <p>CHECKED BY:</p>	<p>(SPECIAL DETAIL)</p> <p>FHWA APPROVAL DATE</p>	<p>SIG-050-A</p>	<p>PLAN DATE</p>



WOOD POLE INSTALLATION



SELF SUPPORTING WOOD POLE IN CONCRETE

POLE HEIGHT	SETTING DEPTH
30'	6.0'
35'	6.0'
40'	6.0'
45'	6.5'
50'	7.0'
55'	7.5'
60'	8.0'

WOOD POLE SETTING DEPTHS
Reference Standard Specification for Construction Section 819.03

NOT TO SCALE

MICHIGAN DEPARTMENT OF TRANSPORTATION BUREAU OF HIGHWAYS DELIVERY STANDARD PLAN	(SPECIAL DETAIL) FHWA APPROVAL DATE	PLAN DATE	SIG-050-A	SHEET 2 of 2
File: RefDoc/TR/Signals/Web/Sp Det/F in/SIG050A.dgn Rev. 02/16/17				