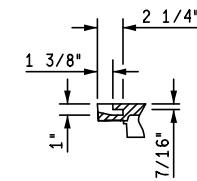


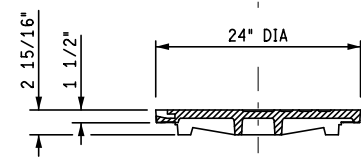
ITS COMMUNICATIONS (COMM) HANDHOLE COVER

NOT TO SCALE



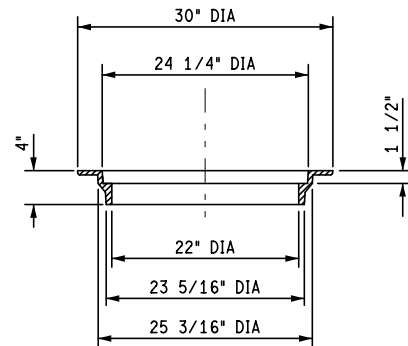
COVER PICKHOLE SECTION

NOT TO SCALE



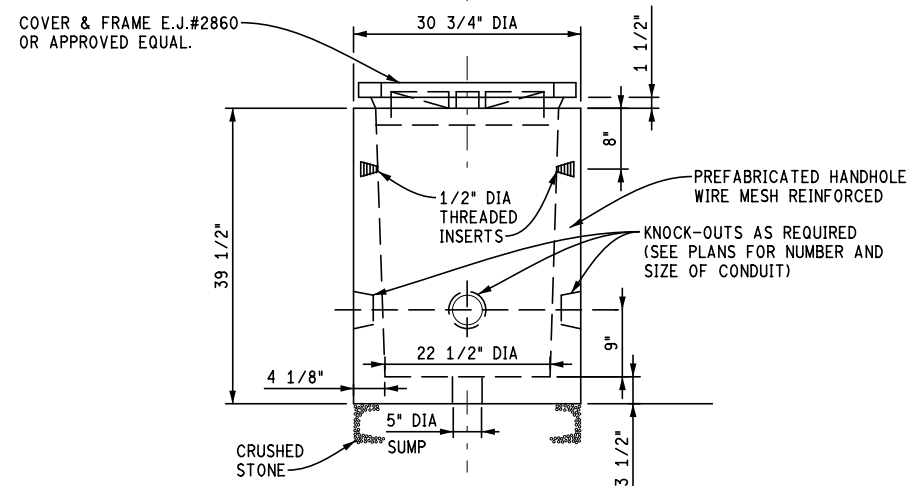
COVER SECTION

NOT TO SCALE



FRAME SECTION

NOT TO SCALE



SIDE VIEW OF ROUND HANDHOLE

NOT TO SCALE

NOTES:

1. PROVIDE HANDHOLE AND COVER MEETING THE REQUIREMENTS OF AASHTO HS 20 FOR WHEEL LOADING.
2. CURRENT COVER AND FRAME FOR ROUND HANDHOLES ARE EAST JORDAN IRON WORKS PART NO. 2860 (COVER) AND 1120 (FRAME) OR APPROVED EQUAL. A.S.T.M. CLASS 30 GRAY IRON, HEAVY DUTY, APPROX. WT. 250#.
3. REFER TO CONSTRUCTION SHEETS FOR TYPE (COMM OR ELEC) OF COVER FOR EACH HANDHOLE.

FINAL ROW PLAN REVISIONS (SUBMITTAL DATE:)							
NO.	DATE	AUTH	DESCRIPTION	NO.	DATE	AUTH	DESCRIPTION



NO SCALE

PRINT DATE: 7/5/2016
FILE: HH, Round(Comm) - 7-5-2016 ITS073A

DATE:
DESIGN UNIT:
TSC:

CS:
JN:

HANDHOLE, ROUND (COMM)

DRAWING SHEET

SHEET 1 OF 1