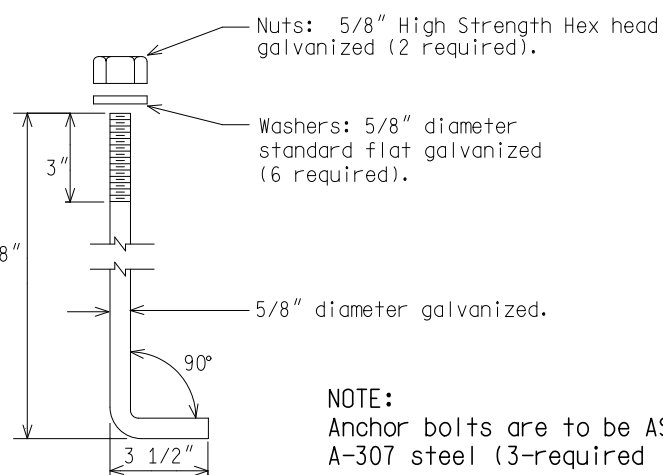
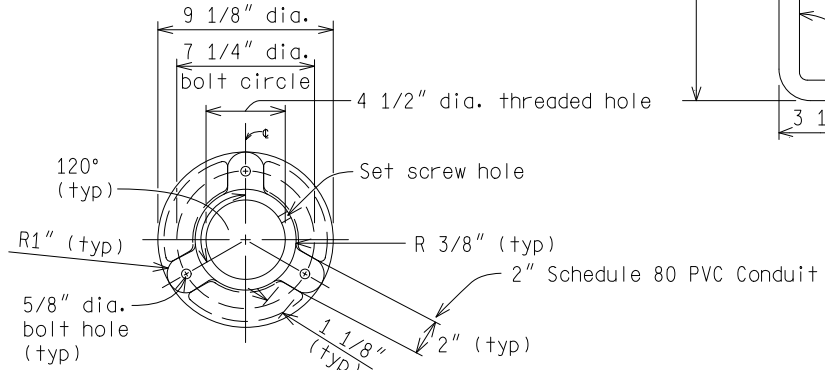


PEDESTAL BASE (TOP VIEW)

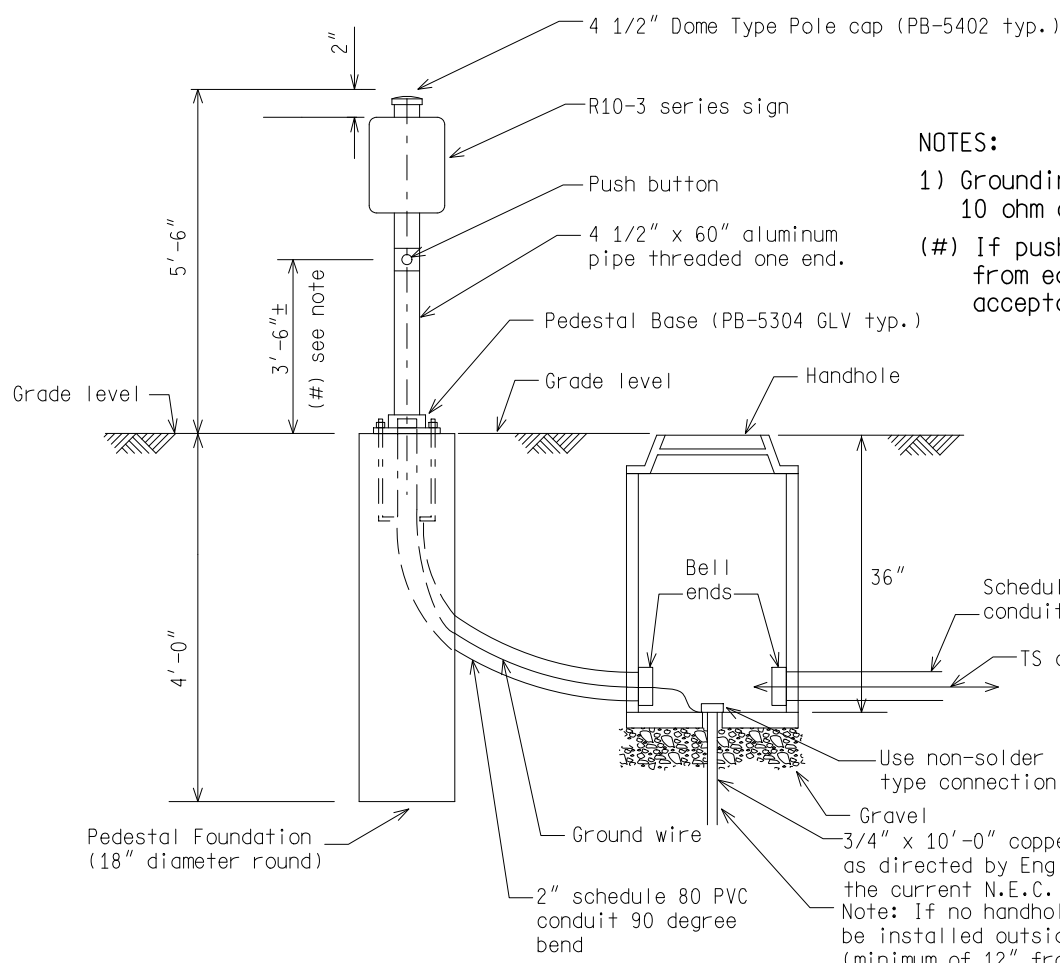


ANCHOR BOLT DETAIL

NOTE:
Anchor bolts are to be ASTM A-307 steel (3-required)



FLANGE BASE (TOP VIEW)



NOTES:
1) Grounding system shall measure 10 ohm or less to ground.
(#) If pushbutton is from 10" to 24" from edge of sidewalk an acceptable range is 38" to 46"

NOT TO SCALE

File: PW:RD/TR/Standards/Signals/mdot mc 120a.dgn Rev. 12/18/12



PREPARED BY
TRAFFIC AND SAFETY

ENGINEER OF DELIVERY

ENGINEER OF DEVELOPMENT

(SPECIAL DETAIL)
FHWA APPROVAL DATE

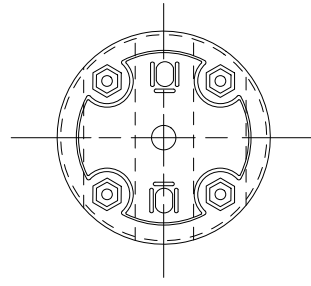
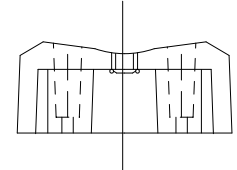
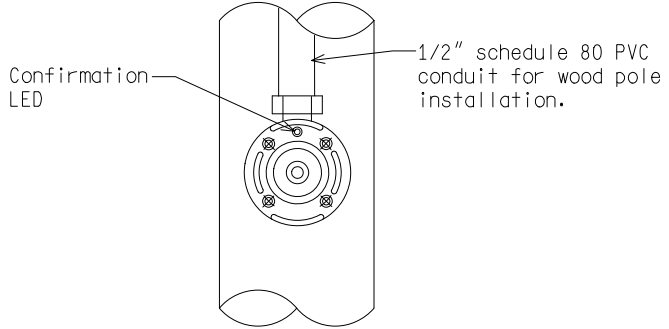
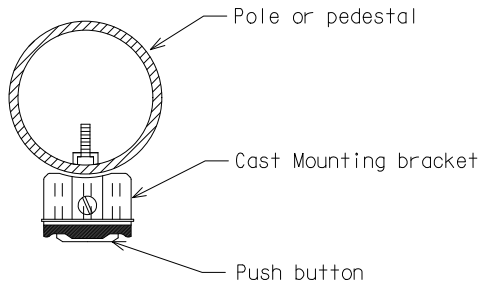
MICHIGAN DEPARTMENT OF TRANSPORTATION
BUREAU OF HIGHWAYS DELIVERY STANDARD PLAN FOR
**PEDESTRIAN PUSHBUTTON
PEDESTAL DETAILS**

DRAWN BY:
CHECKED BY:

PLAN DATE

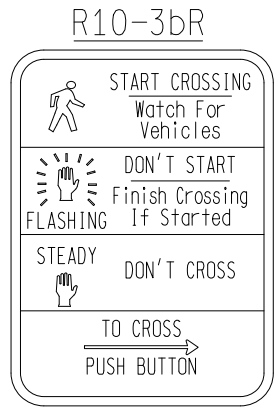
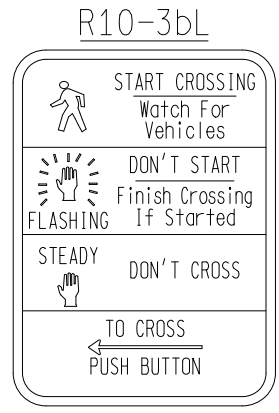
MC-120-A

SHEET
1 of 2

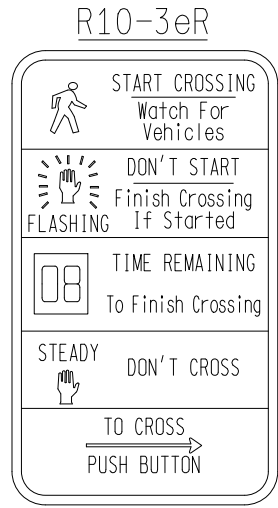
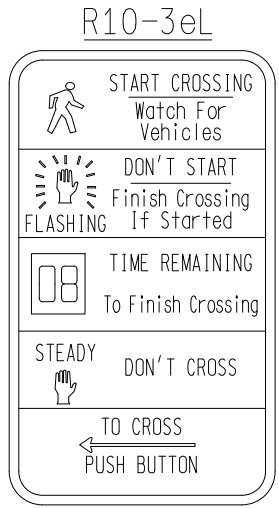


PEDESTRIAN PUSHBUTTON INSTALLATION ON STEEL POLE OR PEDESTAL

CAST MOUNTING BRACKET FOR PEDESTRIAN PUSHBUTTON



PUSHBUTTON SIGN



PUSHBUTTON SIGN
COUNTDOWN

NOT TO SCALE