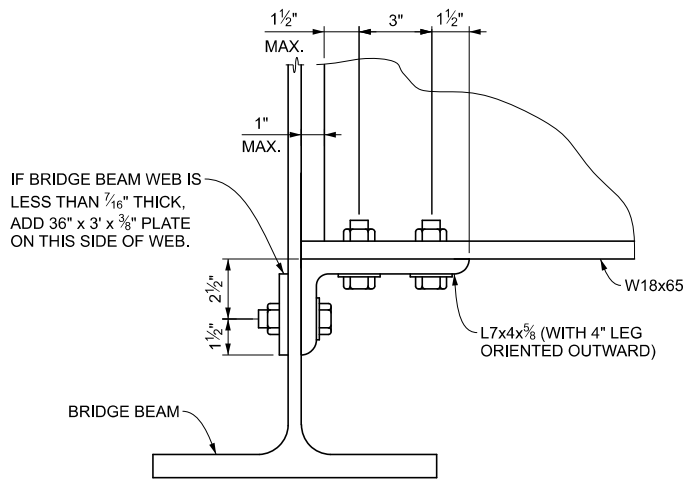


SECTION THRU BRIDGE



DETAIL D

(SHOWING ANGLES "OUT" ORIENTATION)

APPROVED BY: _____
DIRECTOR, BUREAU OF FIELD SERVICES

APPROVED BY: _____
DIRECTOR, BUREAU OF DEVELOPMENT



DEPARTMENT DIRECTOR
BRADLEY C. WIEFERICH, PE

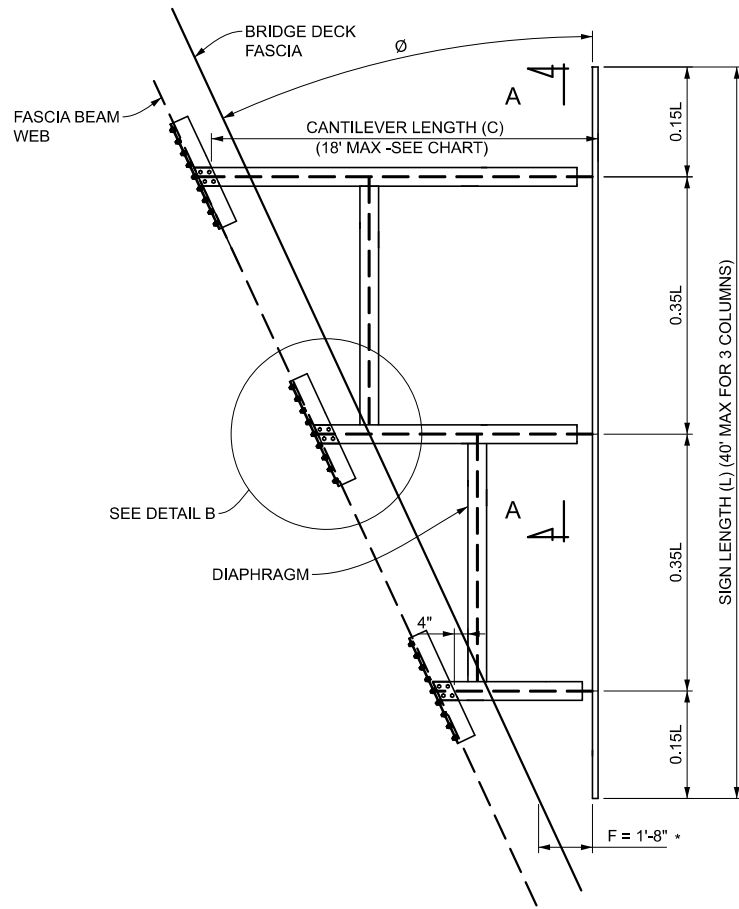
STANDARD PLAN FOR
BRIDGE SIGN CONNECTION TYPE H, I, & J
(BB ≥ 36")

(SPECIAL DETAIL)
FHWA APPROVAL

08/08/23
PLAN DATE

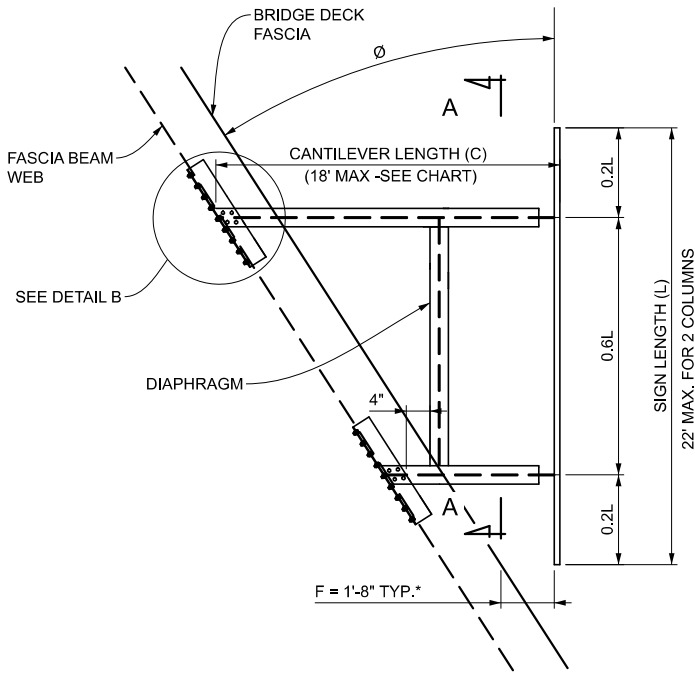
SIGN 830-B

SHEET
1 OF 8



PLAN VIEW

TYPE I: 3 COLUMN SIGN CONNECTION



PLAN VIEW

TYPE H: 2 COLUMN SIGN CONNECTION

| COLUMN | DIAPHRAGM REQUIRED |
|----------|--------------------|
| TYPE I | N/A |
| TYPE II | C ≥ 12' |
| TYPE III | C ≥ 12' |

* 1'-8" DIMENSION MAY BE REDUCED TO 4" TO ACCOMMODATE LARGER SKEW Ø ANGLES.



DEPARTMENT DIRECTOR
BRADLEY C. WIEFERICH, PE

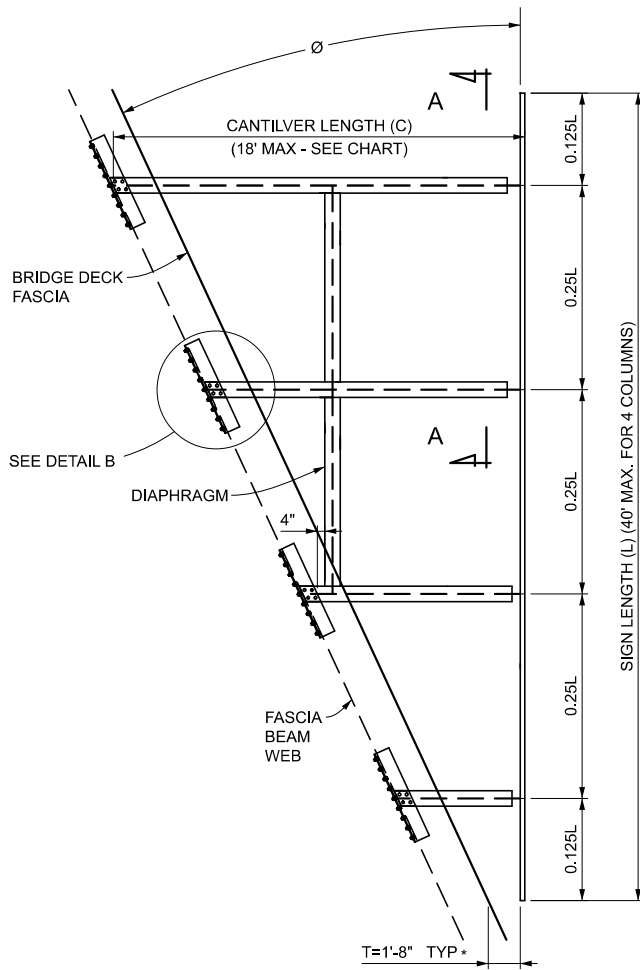
STANDARD PLAN FOR
BRIDGE SIGN CONNECTION TYPE H, I, & J
(BB ≥ 36")

(SPECIAL DETAIL)
FHWA APPROVAL

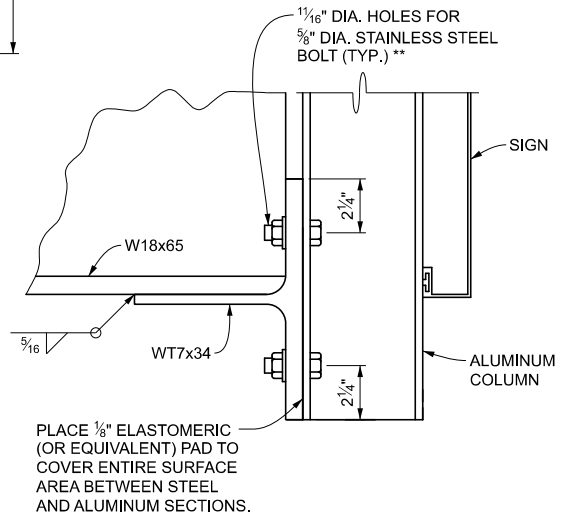
08/08/23
PLAN DATE

SIGN 830-B

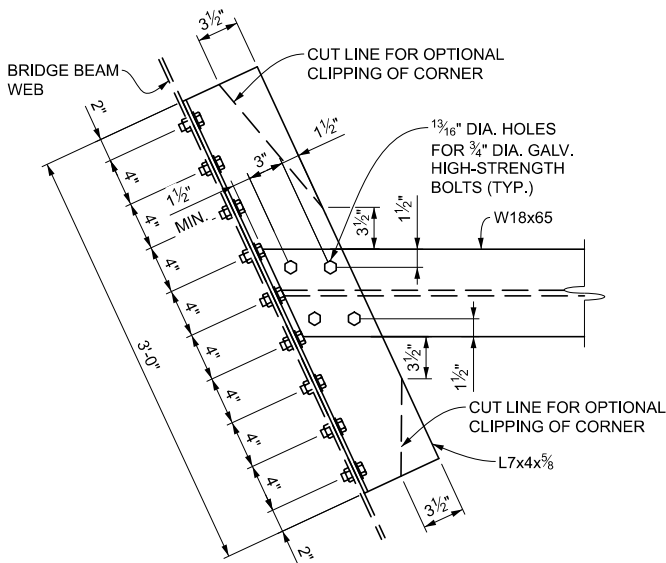
SHEET
2 OF 8



PLAN VIEW
TYPE J: 4 COLUMN SIGN CONNECTION



DETAIL A



DETAIL B

** SEE PAGE 5 OF 8
 FOR BOLT DETAILS



DEPARTMENT DIRECTOR
 BRADLEY C. WIEFERICH, PE

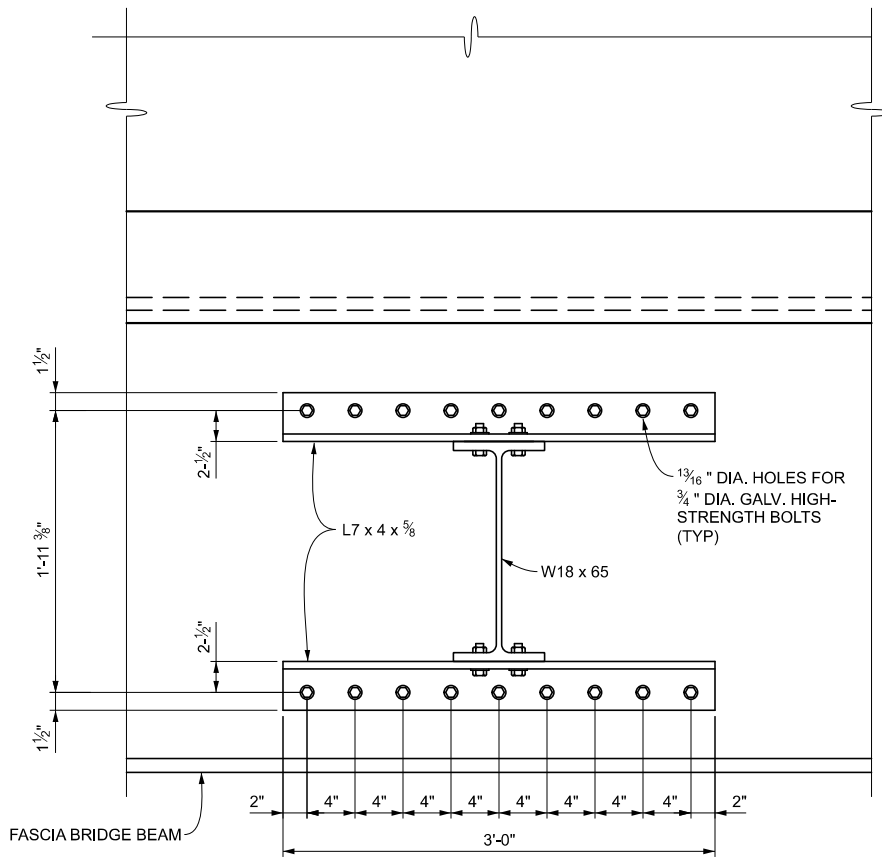
STANDARD PLAN FOR
 BRIDGE SIGN CONNECTION TYPE H, I, & J
 (BB ≥ 36")

(SPECIAL DETAIL)
 FHWA APPROVAL

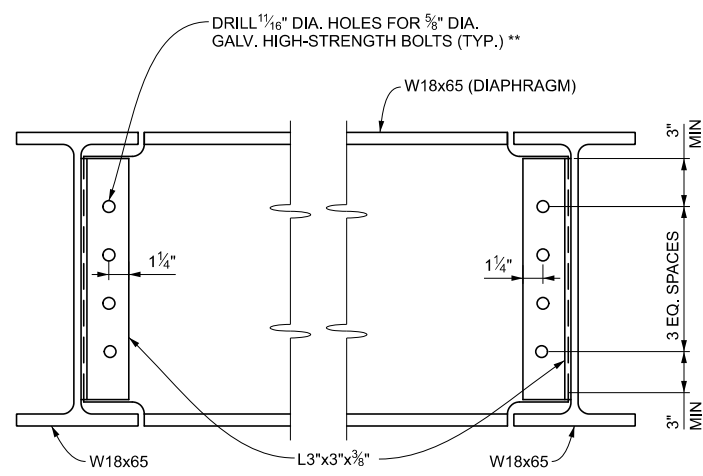
08/08/23
 PLAN DATE

SIGN 830-B

SHEET
 3 OF 8



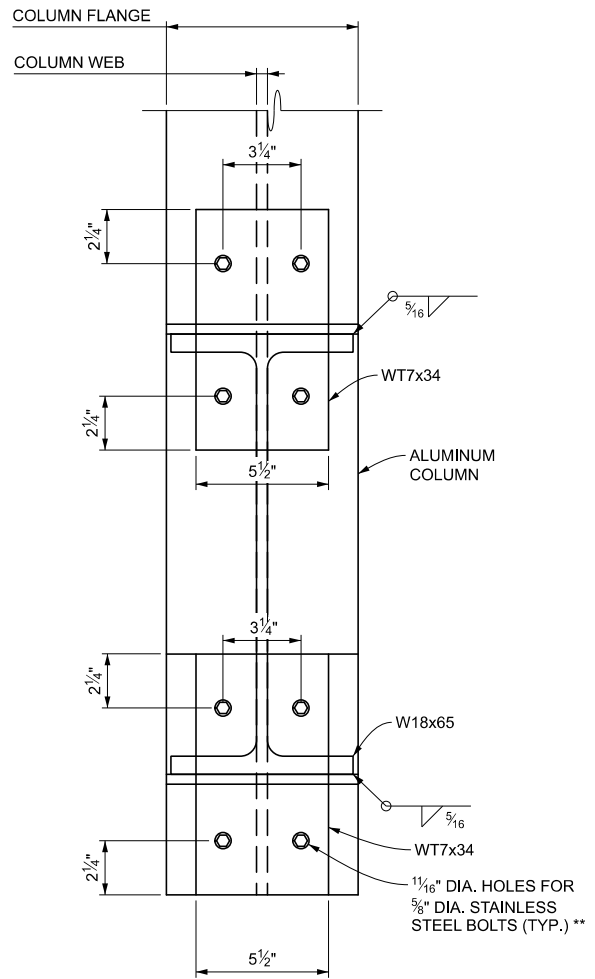
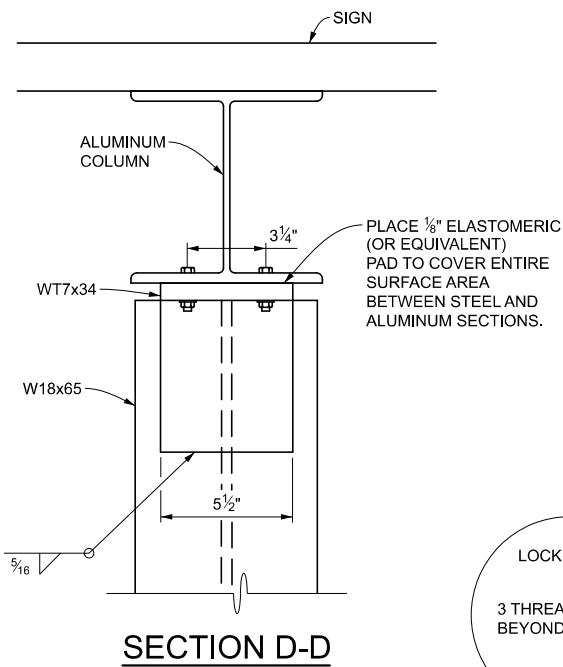
SECTION C-C
(SHOWING ANGLES "OUT" ORIENTATION)



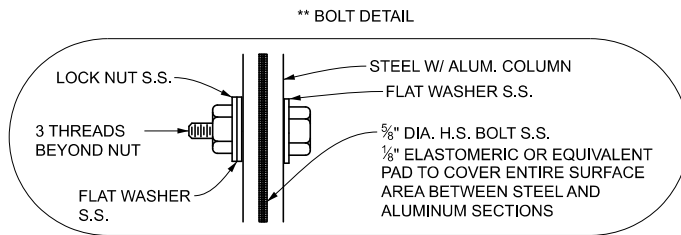
**SEE PAGE 5 OF 8 FOR BOLT DETAILS

SECTION A-A

| | | | | |
|---|---|-------------------------------|--------------------------|-------------------------|
| <p>MDOT Michigan Department of Transportation</p> <p>DEPARTMENT DIRECTOR BRADLEY C. WIEFERICH, PE</p> | <p>STANDARD PLAN FOR BRIDGE SIGN CONNECTION TYPE H, I, & J (BB ≥ 36")</p> | | | <p>SHEET 4 OF 8</p> |
| | <p>(SPECIAL DETAIL) FHWA APPROVAL</p> | <p>08/08/23 PLAN DATE</p> | <p>SIGN 830-B</p> | |



SECTION B-B



**SEE PAGE 3 OF 8 FOR BOLT DETAIL



DEPARTMENT DIRECTOR
BRADLEY C. WIEFERICH, PE

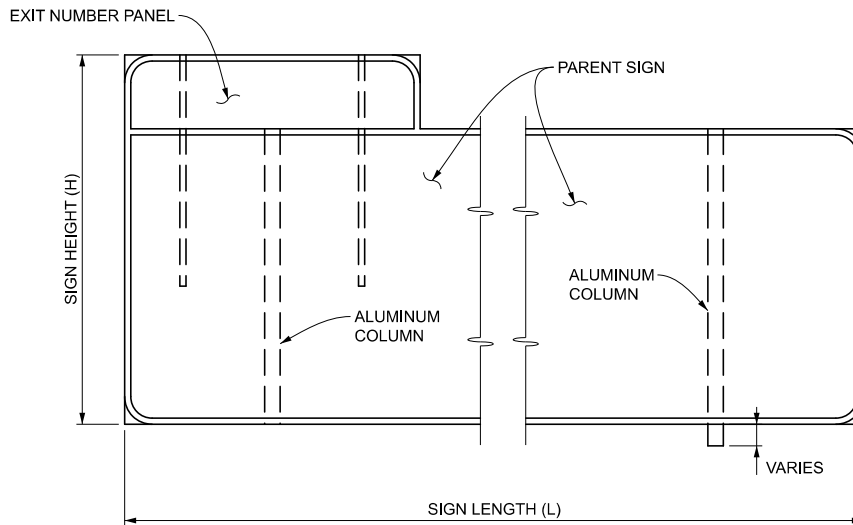
STANDARD PLAN FOR
BRIDGE SIGN CONNECTION TYPE H, I, & J
(BB ≥ 36")

(SPECIAL DETAIL)
FHWA APPROVAL

08/08/23
PLAN DATE

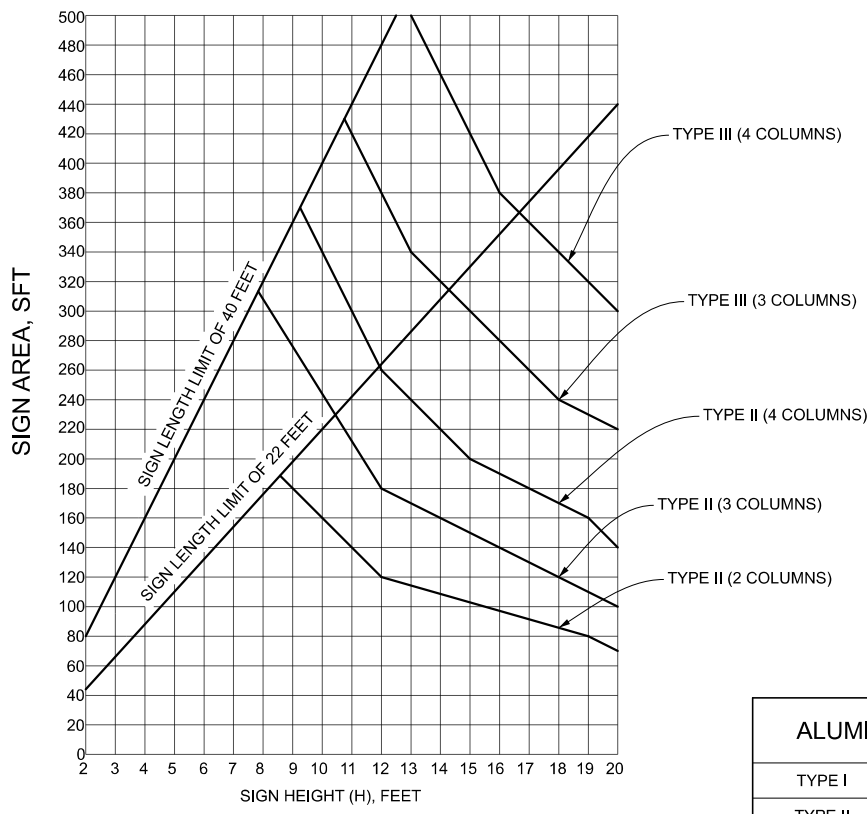
SIGN 830-B

SHEET
5 OF 8



ELEVATION OF SIGN

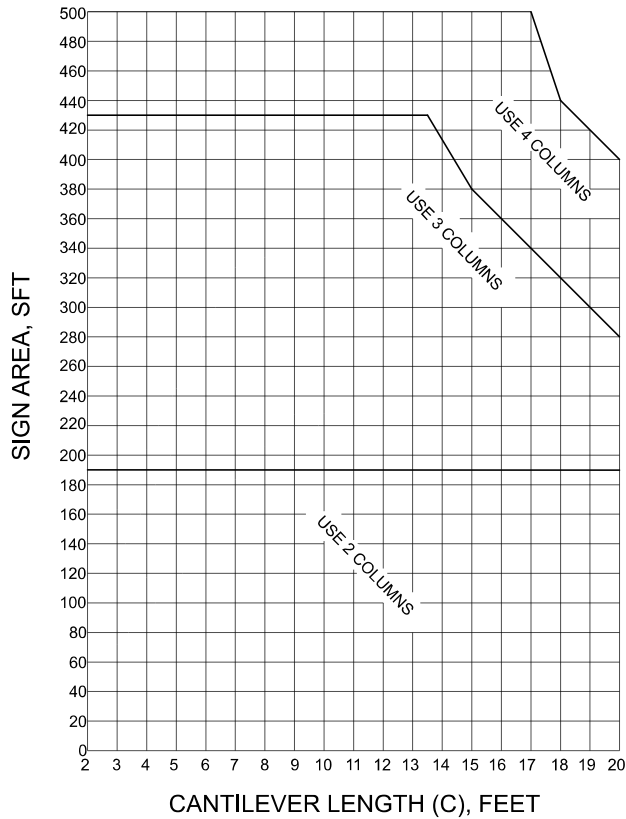
NOTE: SIGN HEIGHT IS MEASURED WHERE THE SIGN IS THE TALLEST INCLUDING ANY EXIT NUMBER PANELS



COLUMN SELECTION CHART

| ALUMINUM COLUMNS | |
|--|------------|
| TYPE I | N/A |
| TYPE II | W8 x 10.7 |
| TYPE III | W12 x 18.3 |
| REF: ALUMINUM ASSOCIATION ALUMINUM DESIGN MANUAL, 2020 EDITION | |

| | | | | | |
|---|---|-----------------------|--|-------------------|-----------------|
| <p>DEPARTMENT DIRECTOR BRADLEY C. WIEFERICH, PE</p> | STANDARD PLAN FOR BRIDGE SIGN CONNECTION TYPE H, I, & J (BB ≥ 36") | | | SIGN 830-B | SHEET 6 OF 8 |
| | (SPECIAL DETAIL) FHWA APPROVAL | 08/08/23 PLAN DATE | | | |



**CANTILEVER LENGTH CHART
(ANGLES OUT)**

CHART USAGE

THE AMOUNT OF SKEW ANGLE (θ) THAT CAN BE TOLERATED IS DIRECTLY RELATED TO THE AMOUNT OF PERMISSIBLE CANTILEVER (C). THE CANTILEVER LENGTH IS CONTROLLED BY THE NUMBER OF COLUMNS USED AND THE SIGN AREA.

FOR EXAMPLE, USING THE ANGLES OUT ORIENTATION AND A SIGN AREA OF 300 SQUARE FEET IS ACHIEVABLE USING 4 COLUMNS, A MAXIMUM CANTILEVER LENGTH OF 17 FEET IS ACHIEVABLE USING 3 COLUMNS AND A MAXIMUM CANTILEVER LENGTH OF 11.5 FEET IS ACHIEVABLE USING 2 COLUMNS.

ALLOWABLE SIGN HEIGHT AND SIGN AREA ARE RELATED TO THE TYPE AND NUMBER OF ALUMINUM COLUMNS USED. FOR EXAMPLE, TO UTILIZE A SIGN AREA OF 300 SQUARE FEET, THE MAXIMUM SIGN HEIGHT ALLOWED IS 8.3' (3-TYPE II COLUMNS), 11' (4-TYPE II COLUMNS), 15' (3-TYPE III COLUMNS) OR 20' (4-TYPE III COLUMNS).

THE NUMBER OF COLUMNS TO BE USED IS A FUNCTION OF THE DESIRED SIGN AREA AND DESIRED CANTILEVER LENGTH. USE THE GREATER NUMBER OF COLUMNS AS DICTATED BY THE DESIRED SIGN AREA OR CANTILEVER LENGTH.

SKEW ANGLE (θ) IS A FUNCTION OF PERMISSIBLE CANTILEVER LENGTH (C) AND SIGN LENGTH (L). (REFER TO SIGN-840 SERIES)

THE ANGLES "OUT" ORIENTATION IS THE PREFERRED METHOD OF CONNECTION. ANGLES "IN" ORIENTATION SHOULD BE CONSIDERED FOR BRIDGE BEAMS LESS THAN 36 INCHES DEEP. (REFER TO SIGN-820 SERIES)



DEPARTMENT DIRECTOR
BRADLEY C. WIEFERICH, PE

STANDARD PLAN FOR
BRIDGE SIGN CONNECTION TYPE H, I, & J
(BB ≥ 36")

(SPECIAL DETAIL)
FHWA APPROVAL

08/08/23
PLAN DATE

SIGN 830-B

SHEET
7 OF 8

NOTES

1. FIELD VERIFY BRIDGE DIMENSIONS PRIOR TO FABRICATION.
2. WELDING SHALL BE IN ACCORDANCE WITH THE STANDARD SPECIFICATIONS FOR CONSTRUCTION.
3. ALL STRUCTURAL STEEL MEMBERS SHALL BE HOT-DIP GALVANIZED IN ACCORDANCE WITH THE STANDARD SPECIFICATIONS FOR CONSTRUCTION.
4. ALL ALUMINUM MEMBERS SHALL BE ASTM B 308 ALUMINUM ALLOY 6061-T6 AND SHALL CONFORM TO ASTM B 221.
5. STRUCTURAL STEEL MEMBER SHALL CONFORM TO AASHTO M 270 GRADE 36 OR GRADE 50S.
6. ALL HIGH-STRENGTH BOLTS, NUTS AND WASHERS SHALL BE IN ACCORDANCE WITH SUBSECTION 906.07 AND INSTALLED ACCORDING TO SUBSECTION 707.03.E.6 OF THE STANDARD SPECIFICATIONS FOR CONSTRUCTION EXCEPT FOR STAINLESS STEEL BOLTS, NUTS AND WASHERS.
7. STAINLESS STEEL BOLTS AND WASHERS SHALL CONFORM TO ASTM A320, CLASS 1, GRADE B8. NUTS SHALL BE SELF-LOCKING NYLON INSERT TYPE AND MUST CONFORM TO ASTM A320, GRADE 8F. STAINLESS STEEL NUTS AND WASHERS SHALL ALWAYS ACCOMPANY STAINLESS STEEL BOLTS. STAINLESS STEEL BOLTS, NUTS AND WASHERS SHALL BE USED AT CONNECTIONS WITH ALUMINUM MEMBERS. ALL OTHER CONNECTIONS SHALL UTILIZE GALVANIZED HIGH-STRENGTH BOLTS, NUTS AND WASHERS UNLESS OTHERWISE SPECIFIED.
8. SIGN PANEL CONNECTIONS TO ALUMINUM COLUMNS SHALL HAVE THE SAME BOLT ARRANGEMENT AS SHOWN FOR SIGN PANEL CONNECTIONS TO ALUMINUM COLUMNS FOR CANTILEVER AND TRUSSES (SEE TYPICAL PLAN SIGN-700 SERIES).
9. THE BOTTOM EDGE OF THE SIGN SHALL BE HORIZONTAL WHEN ERECTED.
10. IF REPLACING AN EXISTING SIGN SUPPORT, UNUSED HOLES IN BRIDGE BEAMS SHALL BE FILLED WITH A GALVANIZED HIGH STRENGTH BOLT INSTALLED ACCORDING TO SUBSECTION 1005.02.B OF THE STANDARD SPECIFICATIONS FOR CONSTRUCTION.
11. SIGN LOCATION MAY BE SHIFTED TO AVOID JOINTS OR STIFFENERS, AS APPROVED BY THE ENGINEER.
12. FOR CONNECTIONS ON ASTM A588 WEATHERING STEEL BRIDGES, THE CONNECTION INTERFACE SHALL BE BLAST CLEANED AND PRIMED WITH ORGANIC ZINC-RICH PAINT IN ACCORDANCE WITH SECTION 715 OF THE STANDARD SPECIFICATIONS FOR CONSTRUCTION. IF THE EXISTING BRIDGE BEAM IS UNPAINTED ASTM A588 WEATHERING STEEL, THE PAINT COLOR SHALL BE "BROWN WEATHERING STEEL", FEDERAL CODE NUMBER 10062 AND THE PAINT SHALL OVERLAP THE PERIMETER OF THE CONNECTION BY 2 INCHES, OTHERWISE BLEND THE PAINT TO MATCH EXISTING PAINT COLOR. THE PERIMETER OF THE CONNECTIONS TO THE BRIDGE BEAM WEB SHALL BE SEALED WITH AN APPROVED SILICONE SEALANT IN ACCORDANCE WITH SUBSECTION 713.03.F OF THE STANDARD SPECIFICATIONS FOR CONSTRUCTION. THE BOLTED CONNECTIONS TO THE BRIDGE BEAM WEB SHALL BE ACCORDING TO SUBSECTION 1005.02.B OF THE STANDARD SPECIFICATIONS FOR CONSTRUCTION AND SHALL UTILIZE HIGH STRENGTH BOLTS CONFORMING TO ASTM A325 TYPE 3.
13. BRIDGES BUILT BEFORE 1978 CONTAIN LEAD BASED PAINT UNLESS REPAINTED AFTER 1978.
14. INSPECTION OF PROPOSED LOCATIONS SHALL BE PERFORMED TO DETERMINE VIABILITY OF CONNECTION TO EXISTING BRIDGE.
15. SEE SUBSECTION 810.03.P OF THE STANDARD SPECIFICATIONS FOR CONSTRUCTION FOR BOLT REPLACEMENT IN RETAINED BRIDGE MOUNTED SIGN CONNECTIONS.
16. REMOVAL OF THE EXISTING BRIDGE SIGN CONNECTIONS SHALL BE ACCORDING TO SUBSECTION 810.03.U OF THE STANDARD SPECIFICATION FOR CONSTRUCTION.
17. SEE SECTION 713 AND 715 OF THE STANDARD SPECIFICATION FOR CONSTRUCTION FOR BRIDGE SIGN CONNECTIONS TO EXISTING BRIDGES.
18. THE ENGINEER SHALL ANALYZE THE FASCIA BEAM WEB TO DETERMINE IF STIFFENERS OR IF A CROSS-FRAME IS NEEDED TO REINFORCE THE CONNECTION.
19. ALL MEMBERS ARE STEEL EXCEPT ALUMINUM COLUMNS.
20. THE DESIGN OF THIS BRIDGE SIGN CONNECTION IS ACCORDING TO THE AASHTO LRFD SPECIFICATIONS FOR STRUCTURAL SUPPORTS FOR HIGHWAY SIGNS, LUMINAIRES, AND TRAFFIC SIGNALS, FIRST EDITION (2015), WITH 2017 TO 2022 INTERIM REVISIONS.
21. θ = ANGLE BETWEEN SIGN AND BRIDGE FASCIA. ANGLE IS A FUNCTION OF PERMISSIBLE CANTILEVER (C) AND SIGN LENGTH (L). SEE SIGN-840 SERIES.



DEPARTMENT DIRECTOR
BRADLEY C. WIEFERICH, PE

STANDARD PLAN FOR
BRIDGE SIGN CONNECTION TYPE H, I, & J
(BB \geq 36")

(SPECIAL DETAIL)
FHWA APPROVAL

08/08/23
PLAN DATE

SIGN 830-B

SHEET
8 OF 8