

NOT TO SCALE

File: RefDoc/TR/Signals/Web/Sp Det/Fin/SIG220A.dgn Rev.

<p>MICHIGAN DEPARTMENT OF TRANSPORTATION BUREAU OF HIGHWAYS DELIVERY STANDARD PLAN FOR</p>	ENGINEER OF DELIVERY	<p>SECONDARY SERVICE FOR STREET LIGHTING AND STREET NAME SIGNS</p>	02/16/17	<p>SIG-220-A</p>	<p>SHEET 1 of 4</p>
	ENGINEER OF DEVELOPMENT		<p>(SPECIAL DETAIL) FHWA APPROVAL DATE</p>		

DRAWN BY: DSP

CHECKED BY:

NOT TO SCALE

File: RefDoc/TR/Signals/Web/Sp Det/Fin/SIG220A.dgn Rev.

<p>MICHIGAN DEPARTMENT OF TRANSPORTATION BUREAU OF HIGHWAYS DELIVERY STANDARD PLAN</p>	(SPECIAL DETAIL)	<p>02/16/17</p>	<p>SIG-220-A</p>	<p>SHEET 2 of 4</p>
	FHWA APPROVAL DATE			

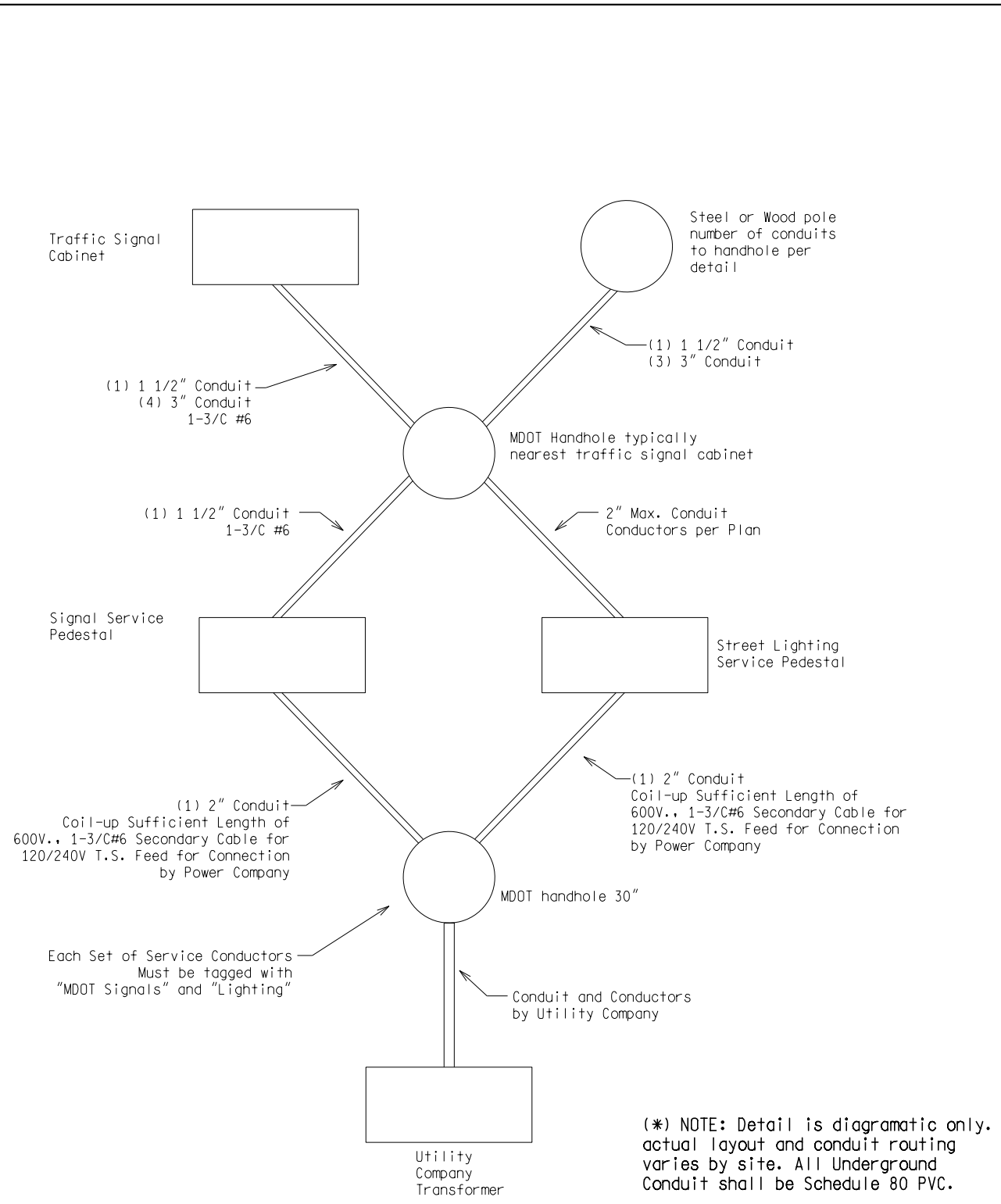
AS-LET PLAN REVISIONS								<p>MICHIGAN DEPARTMENT OF TRANSPORTATION</p>	<p>DATE:</p>	<p>CS:</p>	<p>DRAWING</p>	<p>SHEET</p>
NO.	DATE	AUTH	DESCRIPTION	NO.	DATE	AUTH	DESCRIPTION					

FILE: _____

DESIGN UNIT: _____

TSC: _____

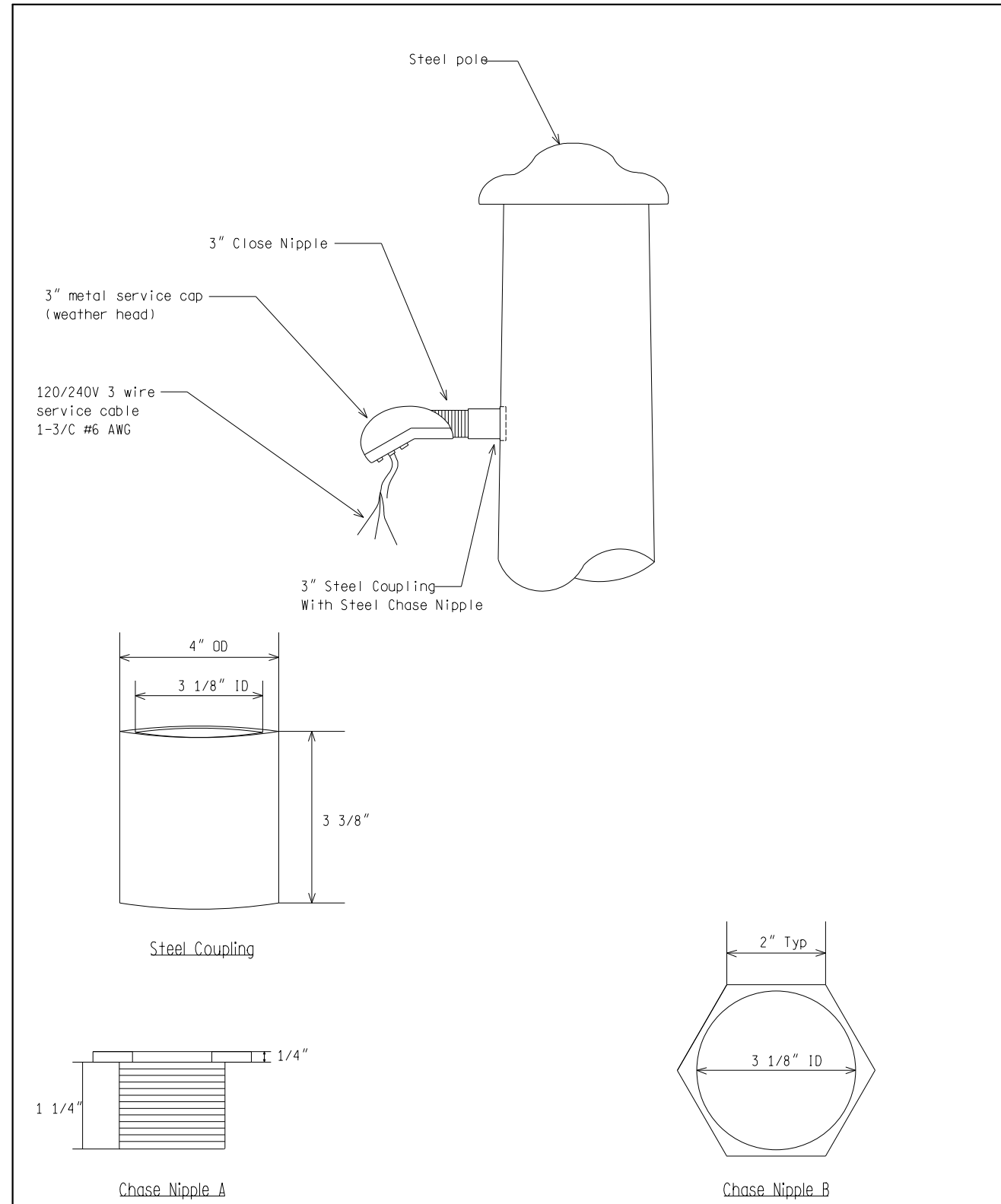
JN: _____



UNDERGROUND DOUBLE SERVICE STREET LIGHTING WIRING DIAGRAM

NOT TO SCALE

MICHIGAN DEPARTMENT OF TRANSPORTATION BUREAU OF HIGHWAYS DELIVERY STANDARD PLAN	(SPECIAL DETAIL) FHWA APPROVAL DATE	02/16/17	SIG-220-A	SHEET 3 of 4
File: RefDoc/TR/Signals/Web/Sp Det/F in/SIG220A.dgn Rev.		PLAN DATE		



STRAIN POLE WEATHER HEAD INSTALLATION

NOT TO SCALE

MICHIGAN DEPARTMENT OF TRANSPORTATION BUREAU OF HIGHWAYS DELIVERY STANDARD PLAN	(SPECIAL DETAIL) FHWA APPROVAL DATE	02/16/17	SIG-220-A	SHEET 4 of 4
File: RefDoc/TR/Signals/Web/Sp Det/F in/SIG220A.dgn Rev.		PLAN DATE		

AS-LET PLAN REVISIONS								MDOT Michigan Department of Transportation	DATE:		CS:		DRAWING	SHEET
NO.	DATE	AUTH	DESCRIPTION	NO.	DATE	AUTH	DESCRIPTION		DESIGN UNIT:	JN:				
									FILE:	TSC:				