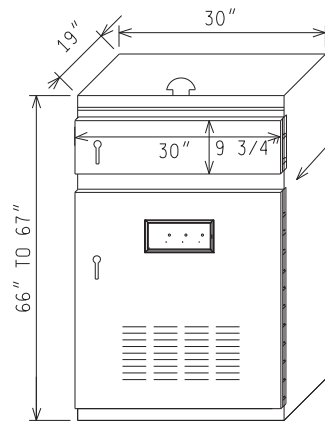


Vented aluminum cabinet
with shall be Type NEMA 3R Size 5

POLE MOUNTED TRAFFIC SIGNAL CONTROLLER CABINET



Vented aluminum cabinet
shall be Type NEMA 3R Size 5 STRETCH

(USE FOR ITS APPLICATIONS)

POLE MOUNTED TRAFFIC SIGNAL ITS CONTROLLER CABINET (IF USED)

NOT TO SCALE

File: RefDoc/TR/Signals/Web/Sp Det/Fin/SIG111A.dgn Rev: 02/16/17



PREPARED BY
TRAFFIC AND SAFETY

DRAWN BY:

CHECKED BY:

ENGINEER OF DELIVERY

ENGINEER OF DEVELOPMENT

(SPECIAL DETAIL)

FHWA APPROVAL DATE

MICHIGAN DEPARTMENT OF TRANSPORTATION
BUREAU OF HIGHWAYS DELIVERY STANDARD PLAN FOR
**POLE MOUNTED T.S.
CONTROLLER CABINET/FOUNDATIONS**

PLAN DATE

SIG-111-A

SHEET
1 of 1