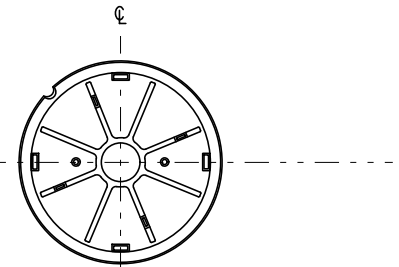


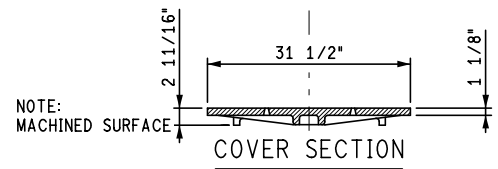
TOP VIEW OF COVER

NOT TO SCALE



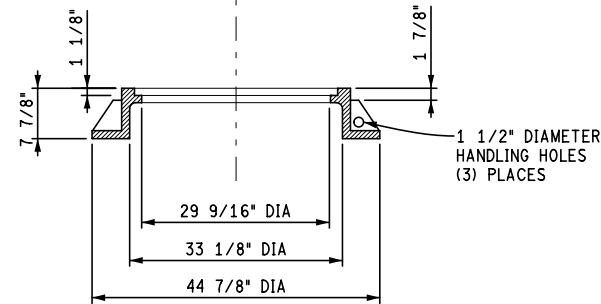
BOTTOM VIEW OF COVER

NOT TO SCALE



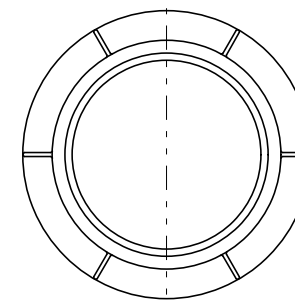
COVER SECTION

NOT TO SCALE



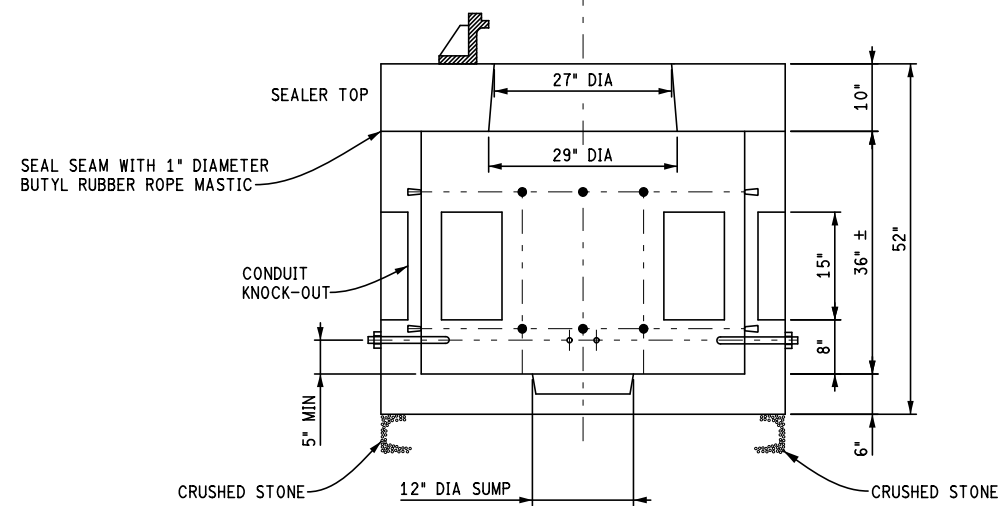
FRAME SECTION

NOT TO SCALE



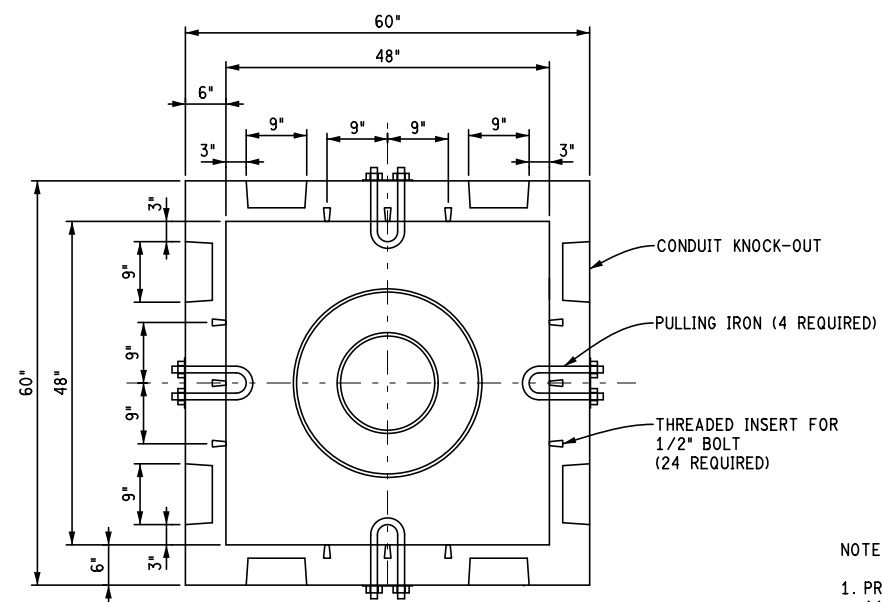
TOP VIEW OF FRAME

NOT TO SCALE



SIDE VIEW OF TYPE D HANDHOLE

NOT TO SCALE



TOP VIEW OF TYPE D HANDHOLE

NOT TO SCALE

NOTES:

1. PROVIDE HANDHOLE AND COVER MEETING THE REQUIREMENTS OF AASHTO HS 25 FOR WHEEL LOADING.
2. CURRENT COVER AND FRAME FOR TYPE D HANDHOLES ARE EAST JORDAN IRON WORKS PART NO. 1220 OR APPROVED EQUAL, A.S.T.M. CLASS 30 GRAY IRON, HEAVY DUTY, APPROX. WT. 685#.

FINAL ROW PLAN REVISIONS ( SUBMITTAL DATE: )							
NO.	DATE	AUTH	DESCRIPTION	NO.	DATE	AUTH	DESCRIPTION



NO SCALE

PRINT DATE: 7/5/2016  
FILE: HH, Type D- 7-5-2016 ITS071A

DATE:  
DESIGN UNIT:  
TSC:

CS:  
JN:

HANDHOLE, TYPE D

DRAWING SHEET

SHEET 1 OF 1