


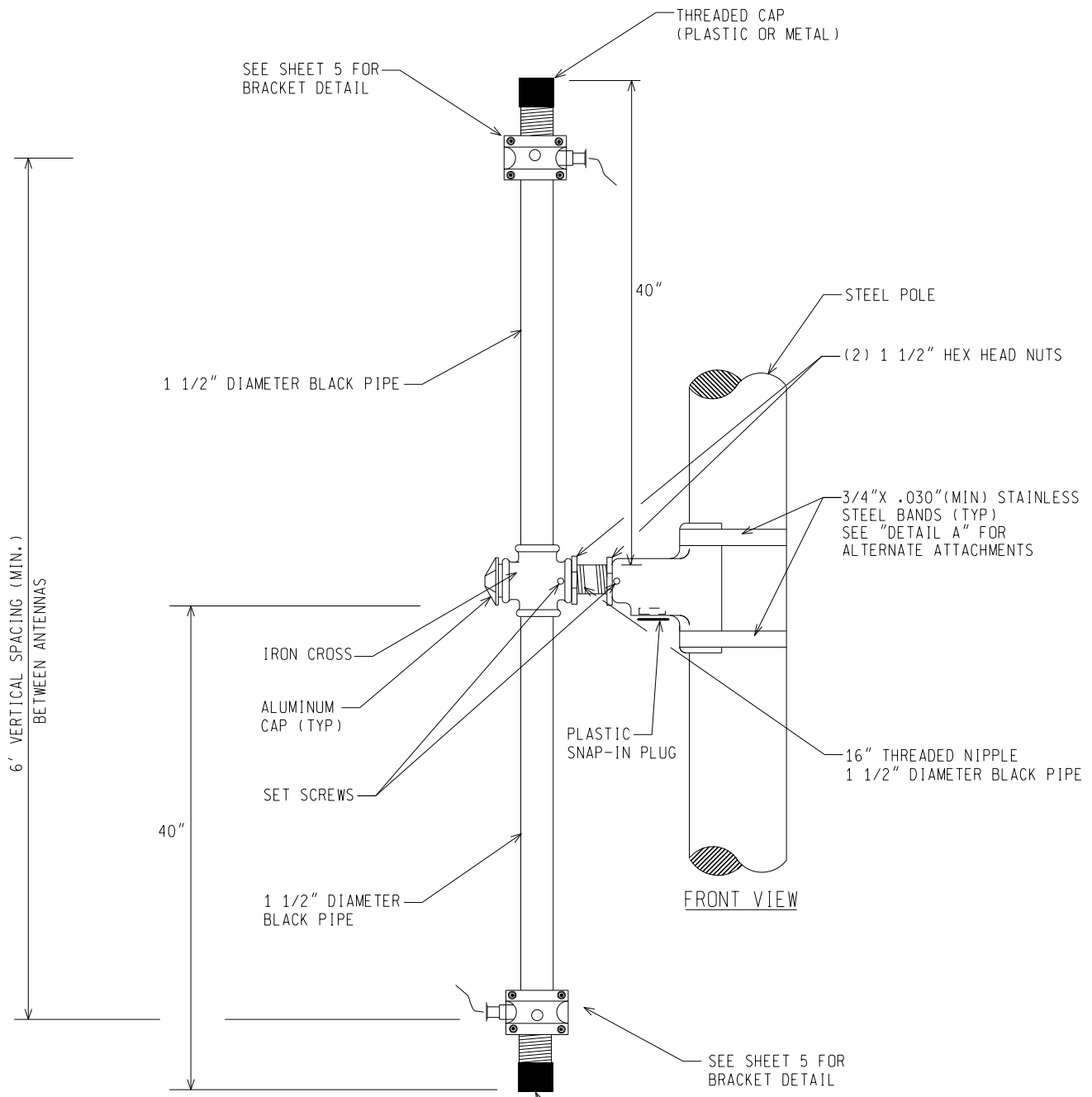
(*) NOTE:
 ANTENNA ATTACHMENT SIMILAR TO
 PED SIGNAL BRACKET ASSEMBLY.
 (FINISHED ASSEMBLY HAS NO
 THREADS EXPOSED.)

ANTENNA ATTACHMENT DETAIL (STEEL POLE)
FOR REMOTE LOCATION

NOT TO SCALE

File: RefDoc/TR/Signals/Web/Sp Det/Fin/SIG130B.dgn Rev. 02/06/2018

 PREPARED BY TRAFFIC AND SAFETY	_____ ENGINEER OF DELIVERY	MICHIGAN DEPARTMENT OF TRANSPORTATION BUREAU OF HIGHWAYS DELIVERY STANDARD PLAN FOR ANTENNA ATTACHMENT DETAIL	
	_____ ENGINEER OF DEVELOPMENT (SPECIAL DETAIL) FHWA APPROVAL DATE	_____ PLAN DATE	SIG-130-B

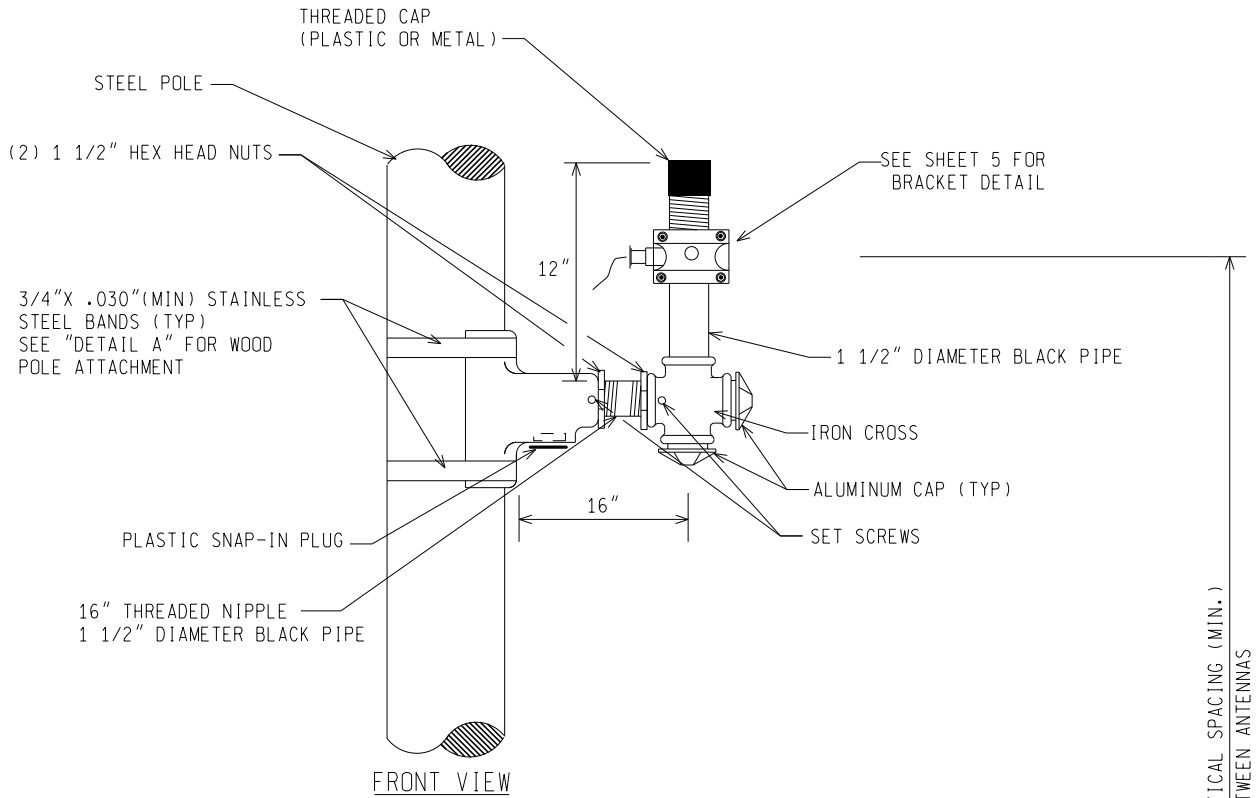


(* NOTE:
 ANTENNA ATTACHMENT SIMILAR TO
 PED SIGNAL BRACKET ASSEMBLY.
 (FINISHED ASSEMBLY HAS NO
 THREADS EXPOSED.)

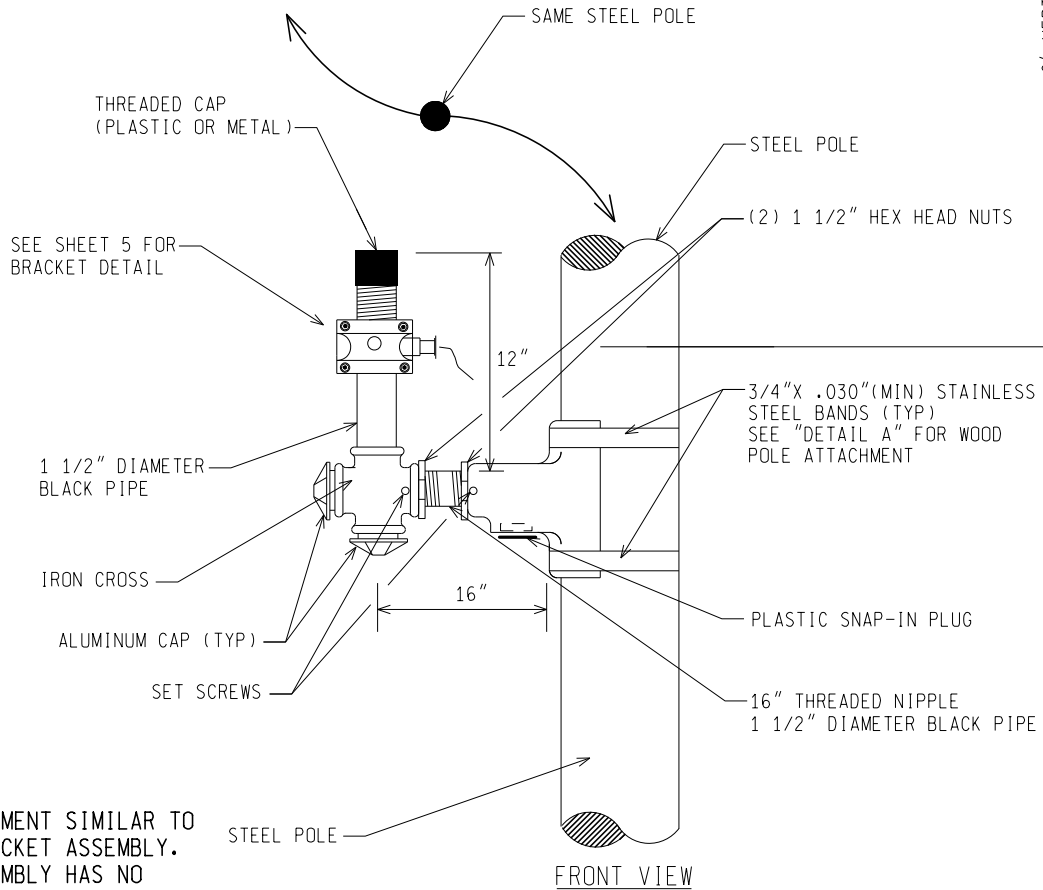
ANTENNA ATTACHMENT DETAIL (STEEL POLE)
FOR MASTER OR REPEATER LOCATION
 SINGLE BRACKET METHOD PREFERRED

NOT TO SCALE

MICHIGAN DEPARTMENT OF TRANSPORTATION BUREAU OF HIGHWAYS DELIVERY STANDARD PLAN	(SPECIAL DETAIL) FHWA APPROVAL DATE		SHEET 2 of 6
File: RefDoc/TR/Signals/Web/Sp Det/Fin/SIG130B.dgn Rev. 02/06/18	PLAN DATE	SIG-130-B	



FRONT VIEW



FRONT VIEW

6' VERTICAL SPACING (MIN.)
BETWEEN ANTENNAS

(* NOTE:
ANTENNA ATTACHMENT SIMILAR TO
PED SIGNAL BRACKET ASSEMBLY.
(FINISHED ASSEMBLY HAS NO
THREADS EXPOSED.)

ANTENNA ATTACHMENT DETAIL (STEEL POLE)
FOR MASTER OR REPEATER LOCATION
USE WHEN 2 BRACKETS ARE REQUIRED

NOT TO SCALE

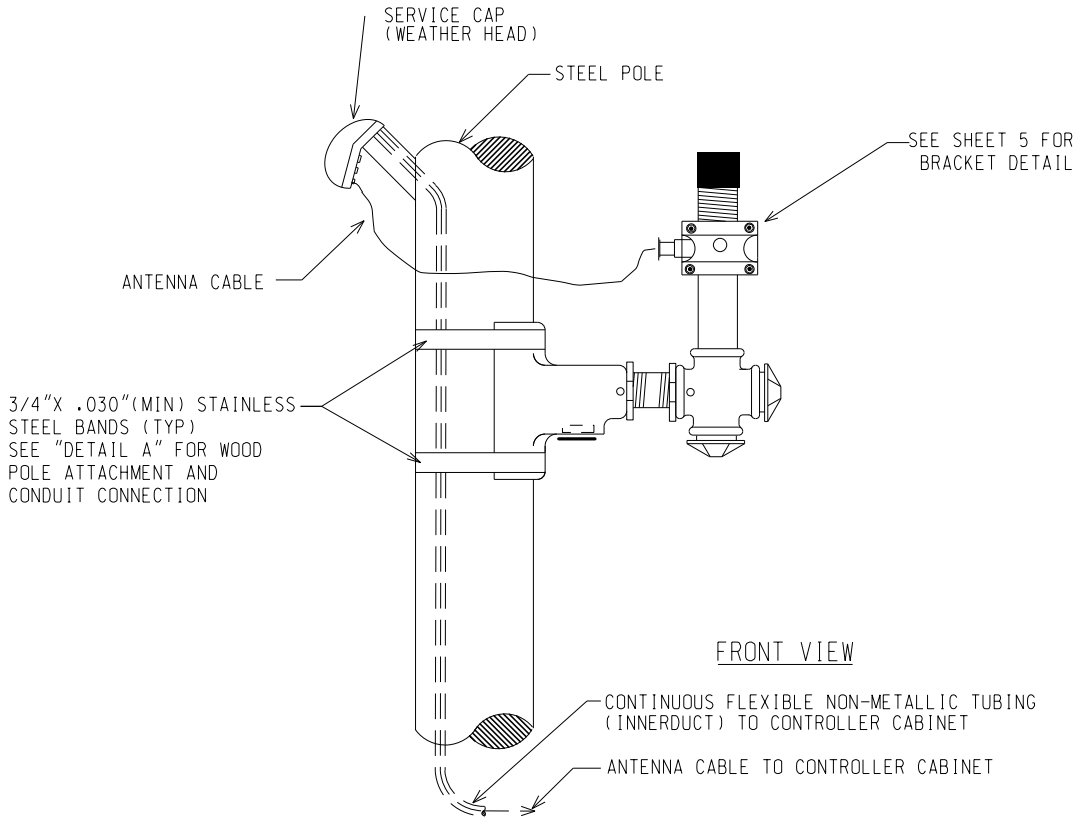
MICHIGAN DEPARTMENT OF TRANSPORTATION
BUREAU OF HIGHWAYS DELIVERY STANDARD PLAN

(SPECIAL DETAIL)
FHWA APPROVAL DATE

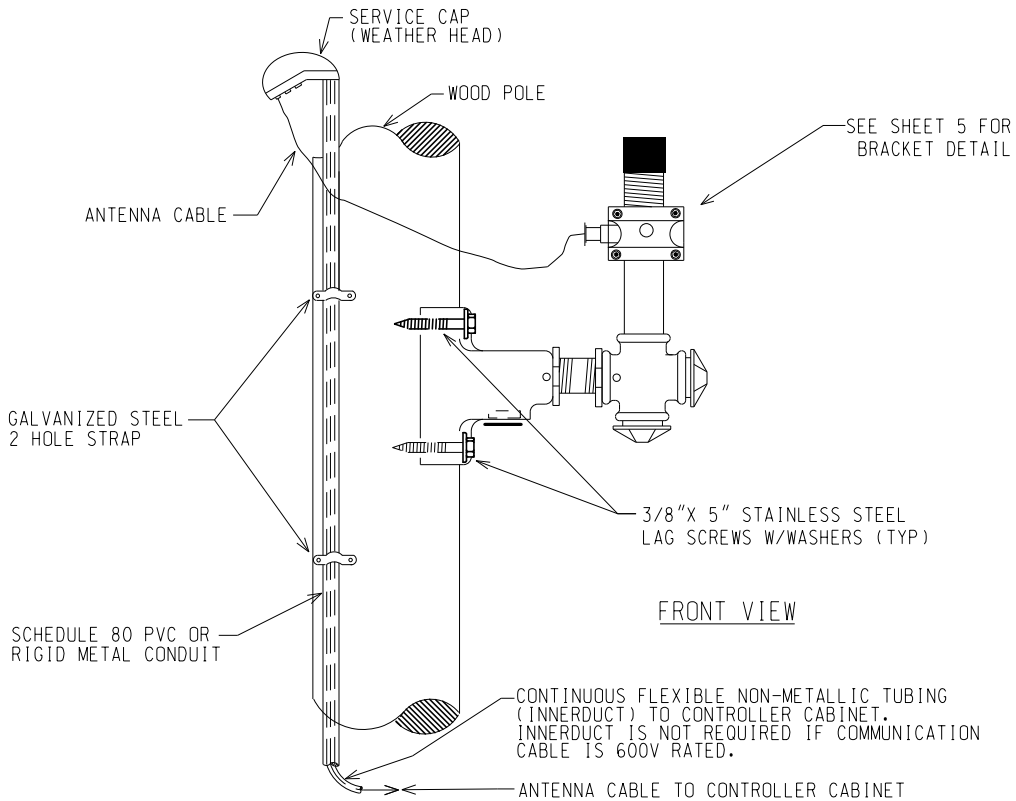
PLAN DATE

SIG-130-B

SHEET
3 of 6



ANTENNA ATTACHMENT DETAIL (STEEL POLE)



ANTENNA ATTACHMENT DETAIL (WOOD POLE)

NOT TO SCALE

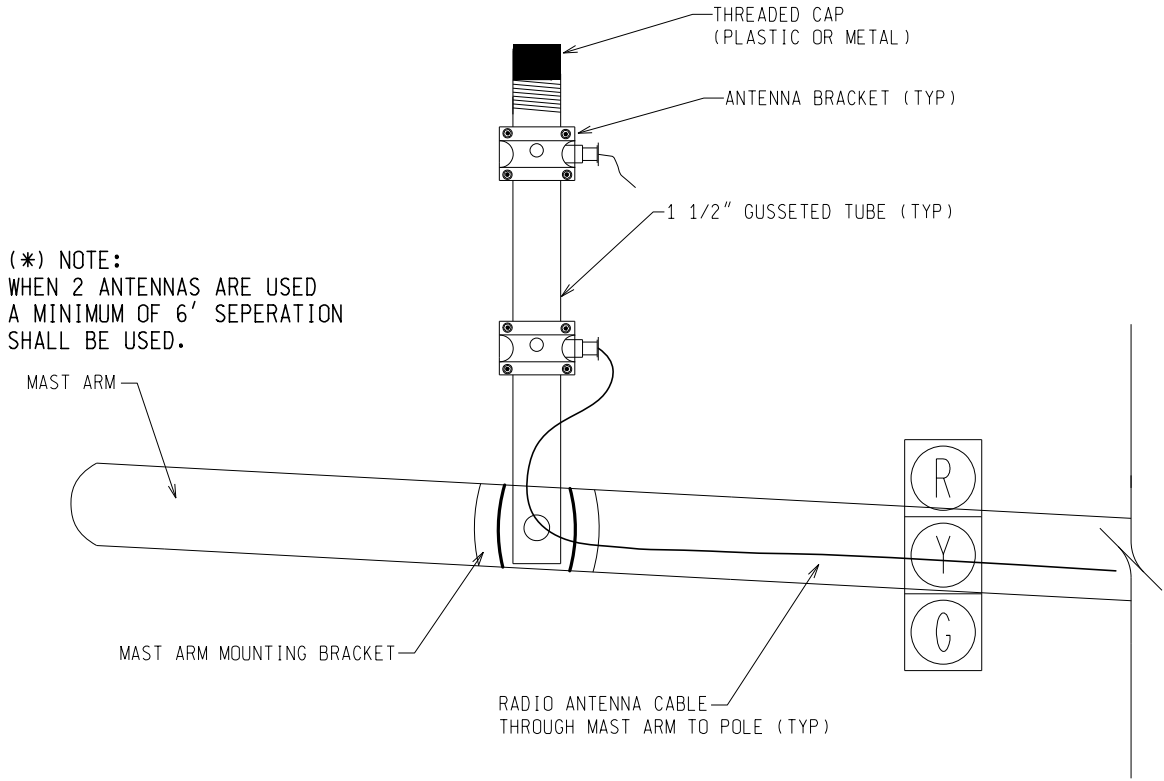
MICHIGAN DEPARTMENT OF TRANSPORTATION
BUREAU OF HIGHWAYS DELIVERY STANDARD PLAN

(SPECIAL DETAIL)
FHWA APPROVAL DATE

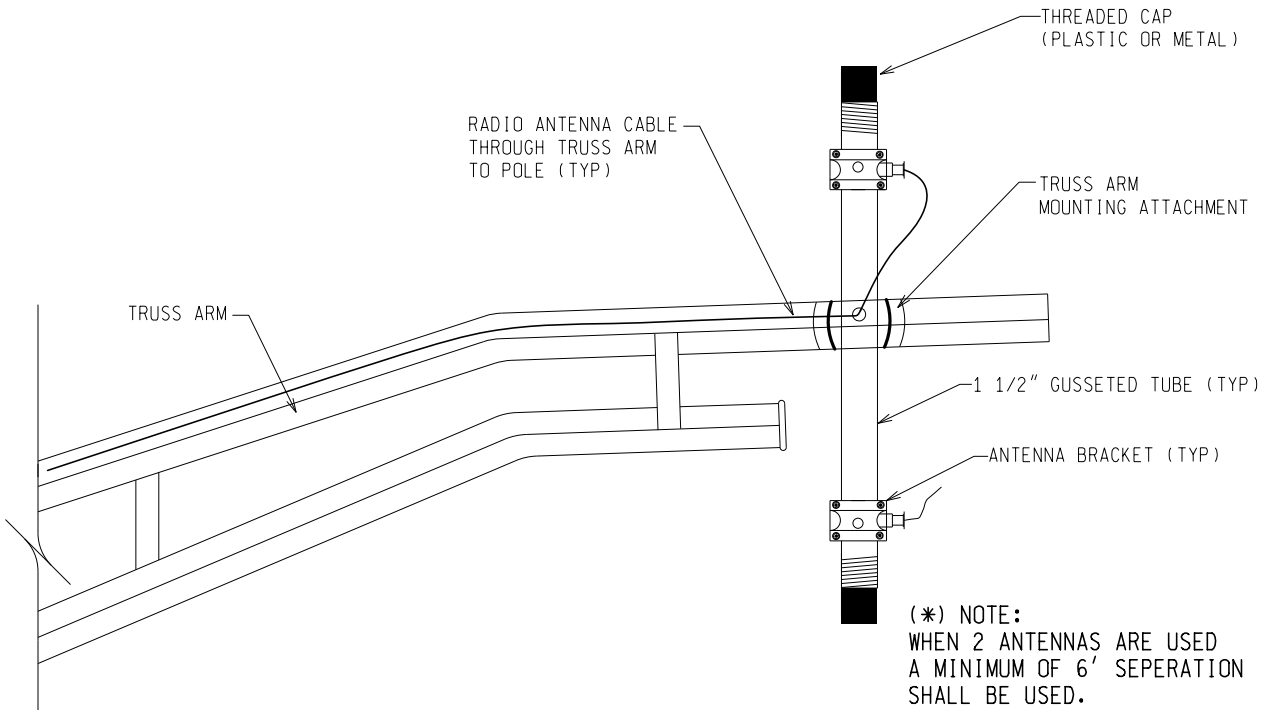
PLAN DATE

SIG-130-B

SHEET
4 of 6



ANTENNA ATTACHMENT DETAIL (MAST ARM)



ANTENNA ATTACHMENT DETAIL (TRUSS ARM)

NOT TO SCALE

MICHIGAN DEPARTMENT OF TRANSPORTATION
BUREAU OF HIGHWAYS DELIVERY STANDARD PLAN

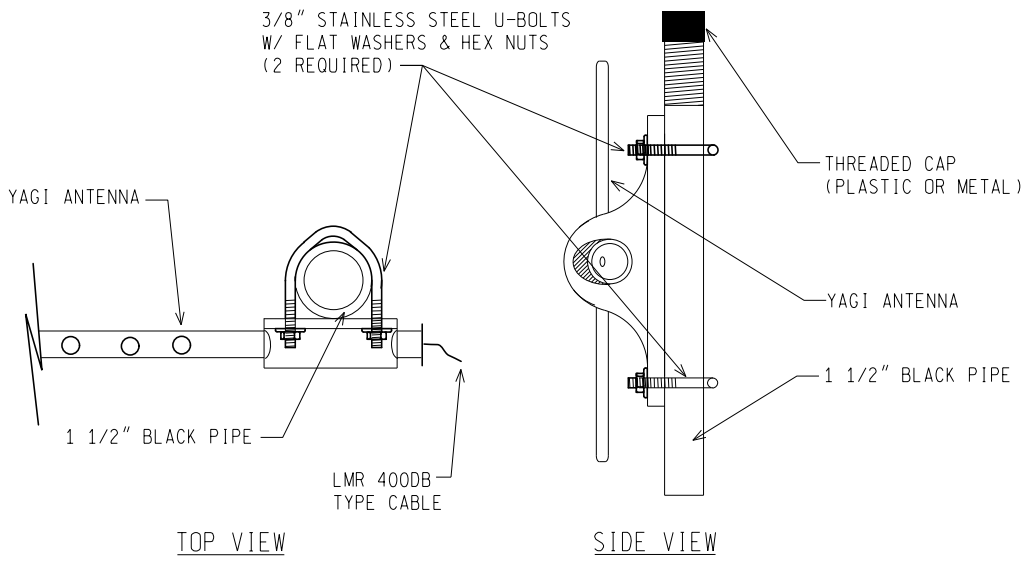
(SPECIAL DETAIL)
FHWA APPROVAL DATE

File: RefDoc/TR/Signals/Web/Sp Det/Fin/SIG130B.dgn Rev. 02/06/18

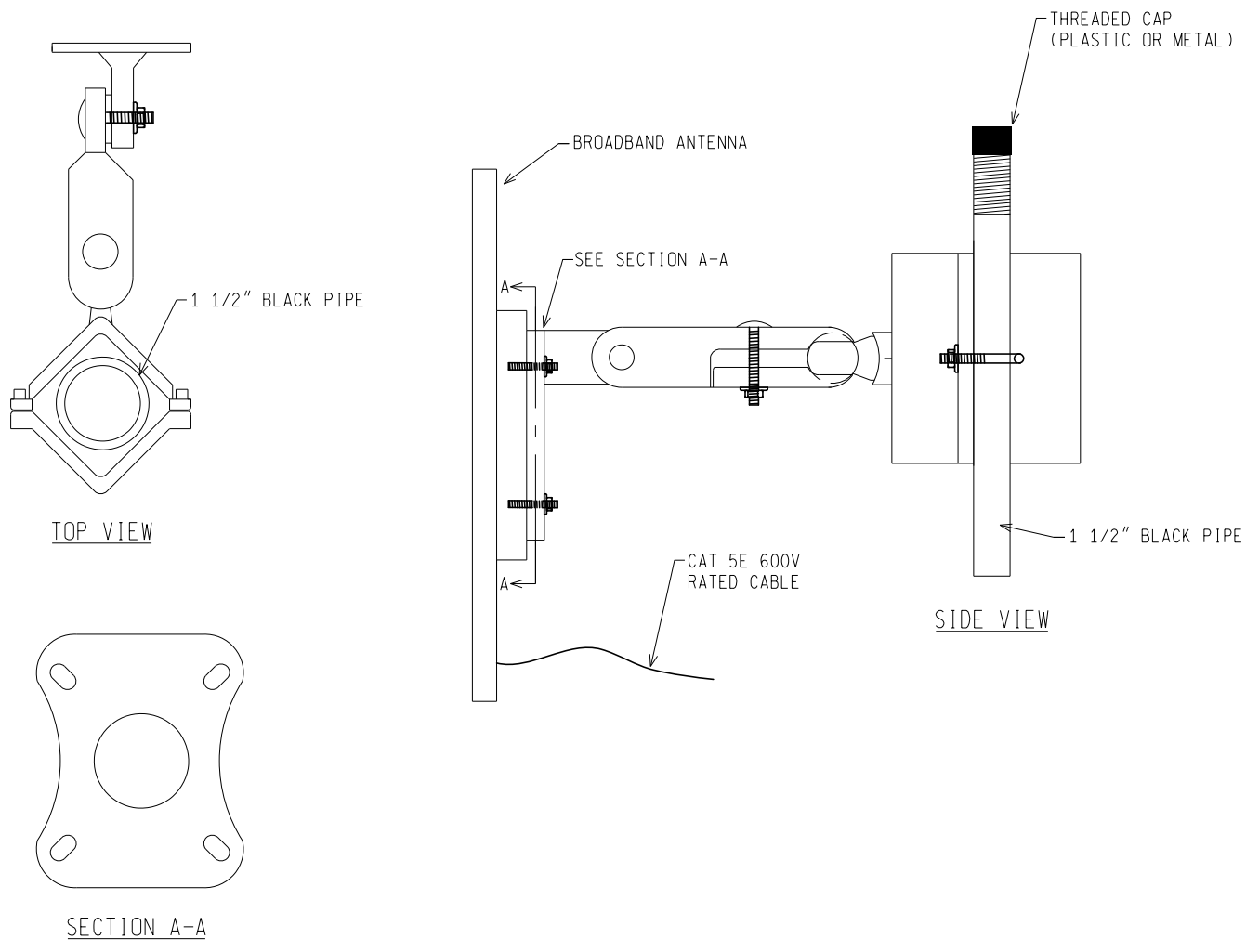
PLAN DATE

SIG-130-B

SHEET
5 of 6



YAGI ANTENNA BRACKET ATTACHMENT DETAIL



BROADBAND ANTENNA BRACKET ATTACHMENT DETAIL

NOT TO SCALE

MICHIGAN DEPARTMENT OF TRANSPORTATION BUREAU OF HIGHWAYS DELIVERY STANDARD PLAN	(SPECIAL DETAIL) FHWA APPROVAL DATE		SIG-130-B	SHEET 6 of 6
File: RefDoc/TR/Signals/Web/Sp Det/Fin/SIG130B.dgn Rev. 02/06/18		PLAN DATE		