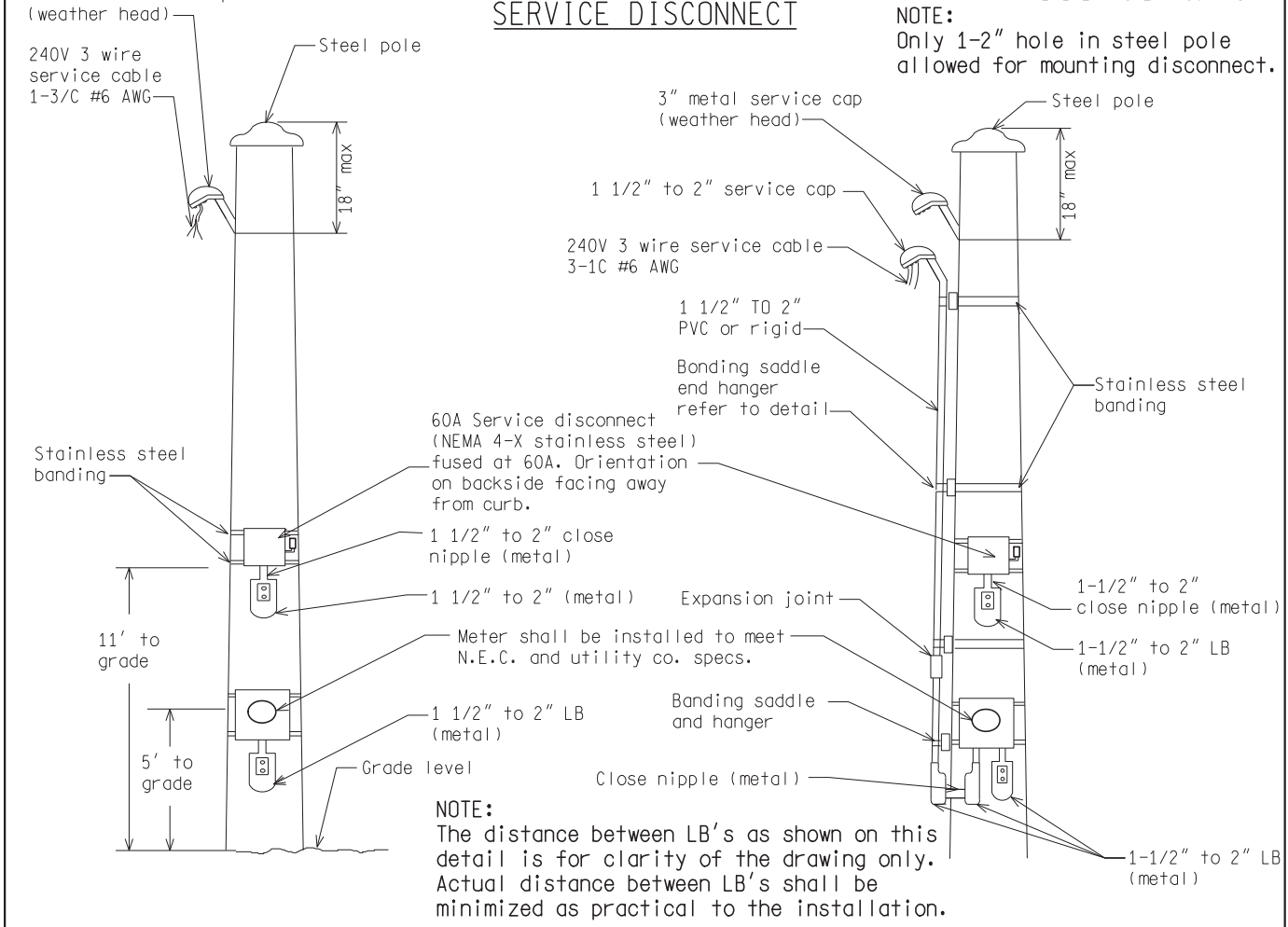


**NOTE:**  
 Porcelain strain insulator (if required) shall meet the codes and placement requirements of the local utility co.

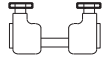
**NOTE:**  
 Only 1-2" hole in steel pole allowed for mounting disconnect.

**SERVICE DISCONNECT**



**NOTE:**  
 The distance between LB's as shown on this detail is for clarity of the drawing only. Actual distance between LB's shall be minimized as practical to the installation.

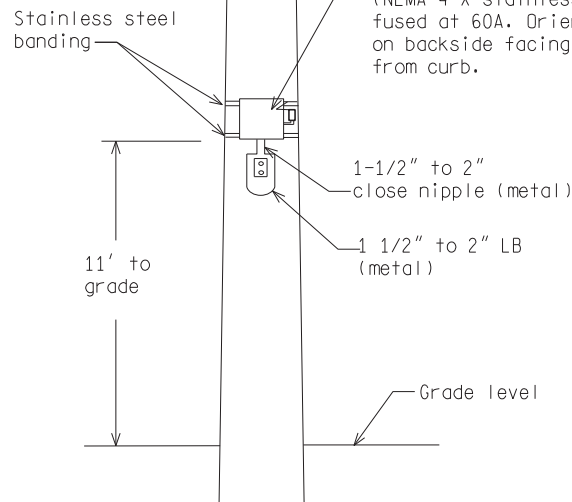
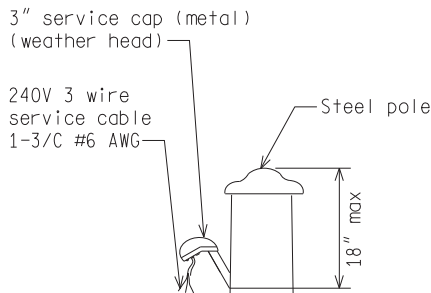
METERED SERVICE WITH  
 1-3/C #6 AWG SERVICE CABLE



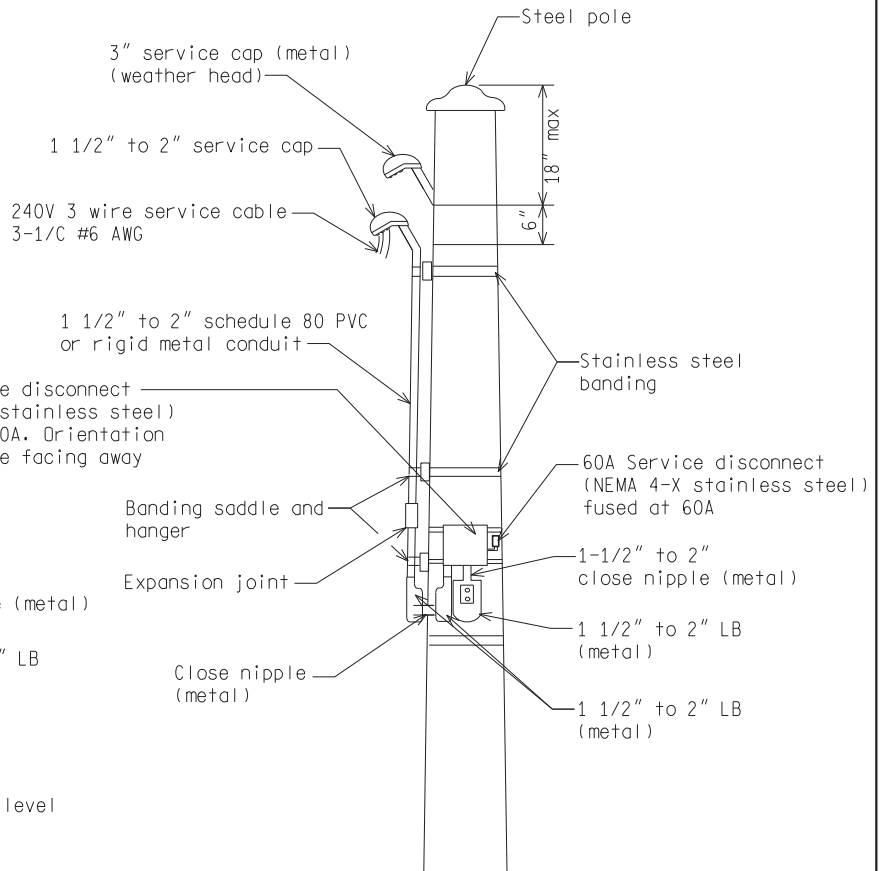
METERED SERVICE WITH  
 3-1/C #6 AWG SERVICE CABLE

NOT TO SCALE File: RefDoc/TR/Signals/Web/Sp Det/Fin/SIG201A.dgn Rev: 02/16/17

|  |  |  |                 |
|--|--|--|-----------------|
| <p>PREPARED BY<br/>         TRAFFIC AND SAFETY</p> | ENGINEER OF DELIVERY<br>_____          | MICHIGAN DEPARTMENT OF TRANSPORTATION<br>BUREAU OF HIGHWAYS DELIVERY STANDARD PLAN FOR<br><b>SECONDARY SERVICE/DISCONNECT<br/>         FOR STEEL POLES</b> |                 |
|  | ENGINEER OF DEVELOPMENT<br>_____       |  |                 |
| DRAWN BY: DJF<br>CHECKED BY:                       | (SPECIAL DETAIL)<br>FHWA APPROVAL DATE | SIG-201-A  | SHEET<br>1 of 2 |



NON-METERED SERVICE WITH  
1-3/C #6 AWG SERVICE CABLE



NON-METERED SERVICE WITH  
3-1/C #6 AWG SERVICE CABLE

NOT TO SCALE

MICHIGAN DEPARTMENT OF TRANSPORTATION  
BUREAU OF HIGHWAYS DELIVERY STANDARD PLAN

(SPECIAL DETAIL)  
FHWA APPROVAL DATE

File: RefDoc/TR/Signals/Web/Sp Det/Fin/SIG201A.dgn Rev. 02/16/17

PLAN DATE

SIG-201-A

SHEET  
2 of 2