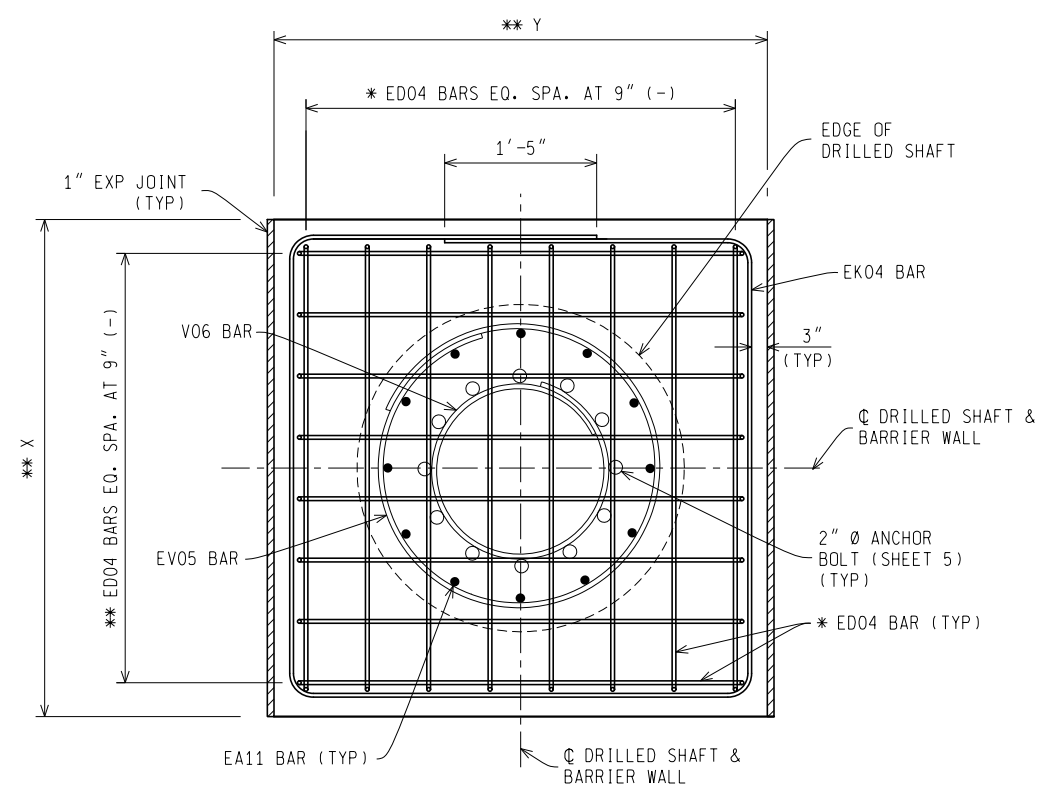


PLAN VIEW - TYPE A DRILLED SHAFT



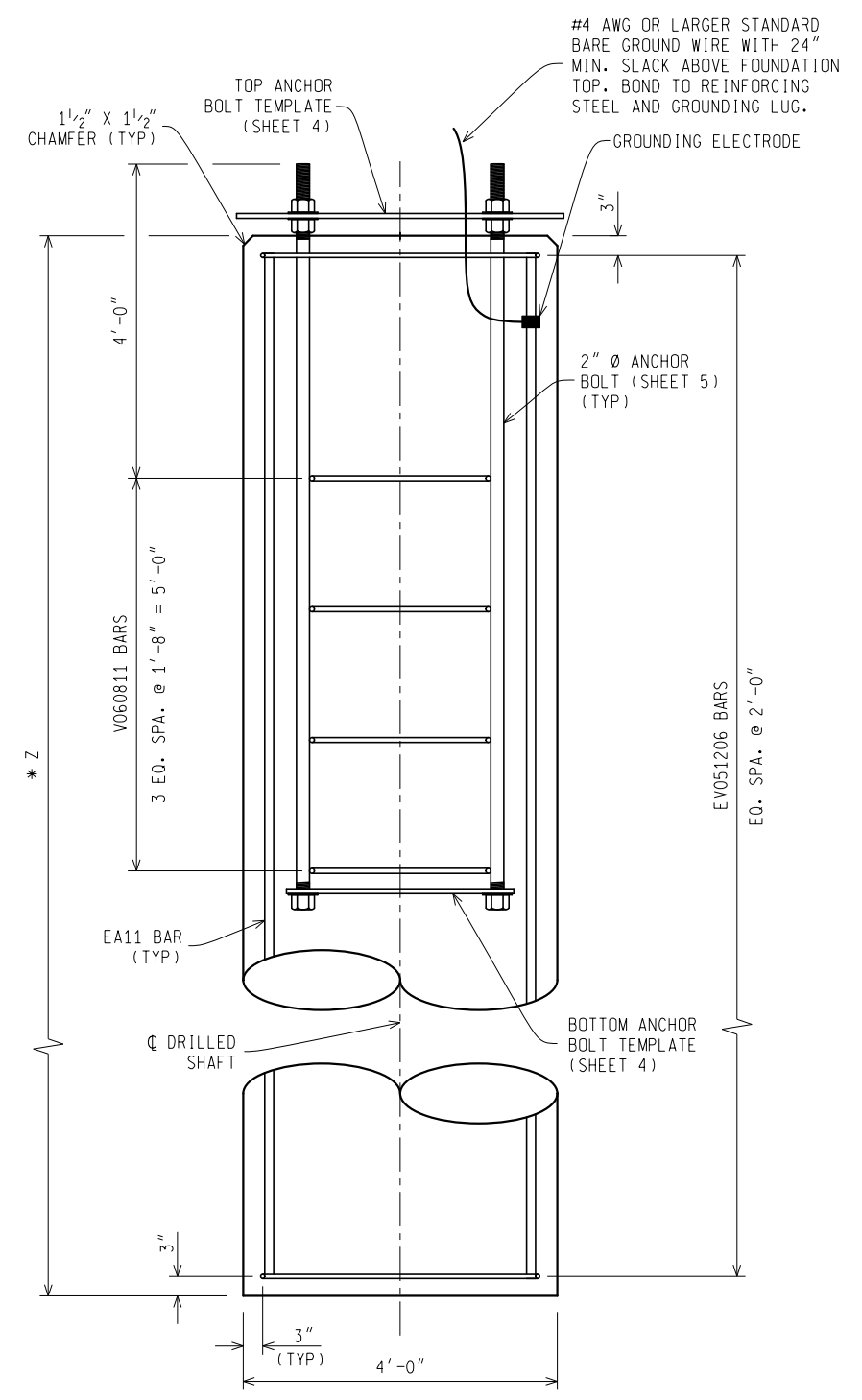
PLAN VIEW - TYPE B DRILLED SHAFT IN BARRIER WALL

* CONTRACTOR TO VERIFY ED04 BARS DO NOT CONFLICT WITH ANCHOR BOLTS.
 ** CONTRACTOR TO DETERMINE DIMENSIONS FOR ED04 AND EK04 BARS BASED ON LIMITS OF REMOVAL, TYPE OF BARRIER, AND CLEAR COVER REQUIREMENTS SPECIFIED HEREIN.

Rev.

NOT TO SCALE File: External Partnerships/ITS Program Office/ITS Standard Details/DMS Structure/ITS-032-A DMS Sign Support Foundation.dgn

	ENGINEER OF DELIVERY	MICHIGAN DEPARTMENT OF TRANSPORTATION BUREAU OF DEVELOPMENT STANDARD PLAN FOR DMS SIGN SUPPORT FOUNDATION	02/06/20 PLAN DATE	ITS-032-A	SHEET 1 of 6
	ENGINEER OF DEVELOPMENT				
PREPARED BY DESIGN DIVISION	(SPECIAL DETAIL) FHWA APPROVAL DATE				
DRAWN BY:					
CHECKED BY:					



ELEVATION VIEW - TYPE A DRILLED SHAFT

* SEE CONTRACT PLANS FOR DEPTH OF DRILLED SHAFT.

Rev.

NOT TO SCALE File: External Partnerships/ITS Program Office/ITS Standard Details/DMS Structure/ITS-032-A DMS Sign Support Foundation.dgn

	(SPECIAL DETAIL)	02/06/20 PLAN DATE	ITS-032-A	SHEET 2 of 6
	BUREAU OF DEVELOPMENT STANDARD PLAN			
MICHIGAN DEPARTMENT OF TRANSPORTATION	FHWA APPROVAL DATE			
DRAWN BY:				
CHECKED BY:				

FINAL ROW PLAN REVISIONS (SUBMITTAL DATE:)					
NO.	DATE	AUTH	DESCRIPTION	NO.	DATE



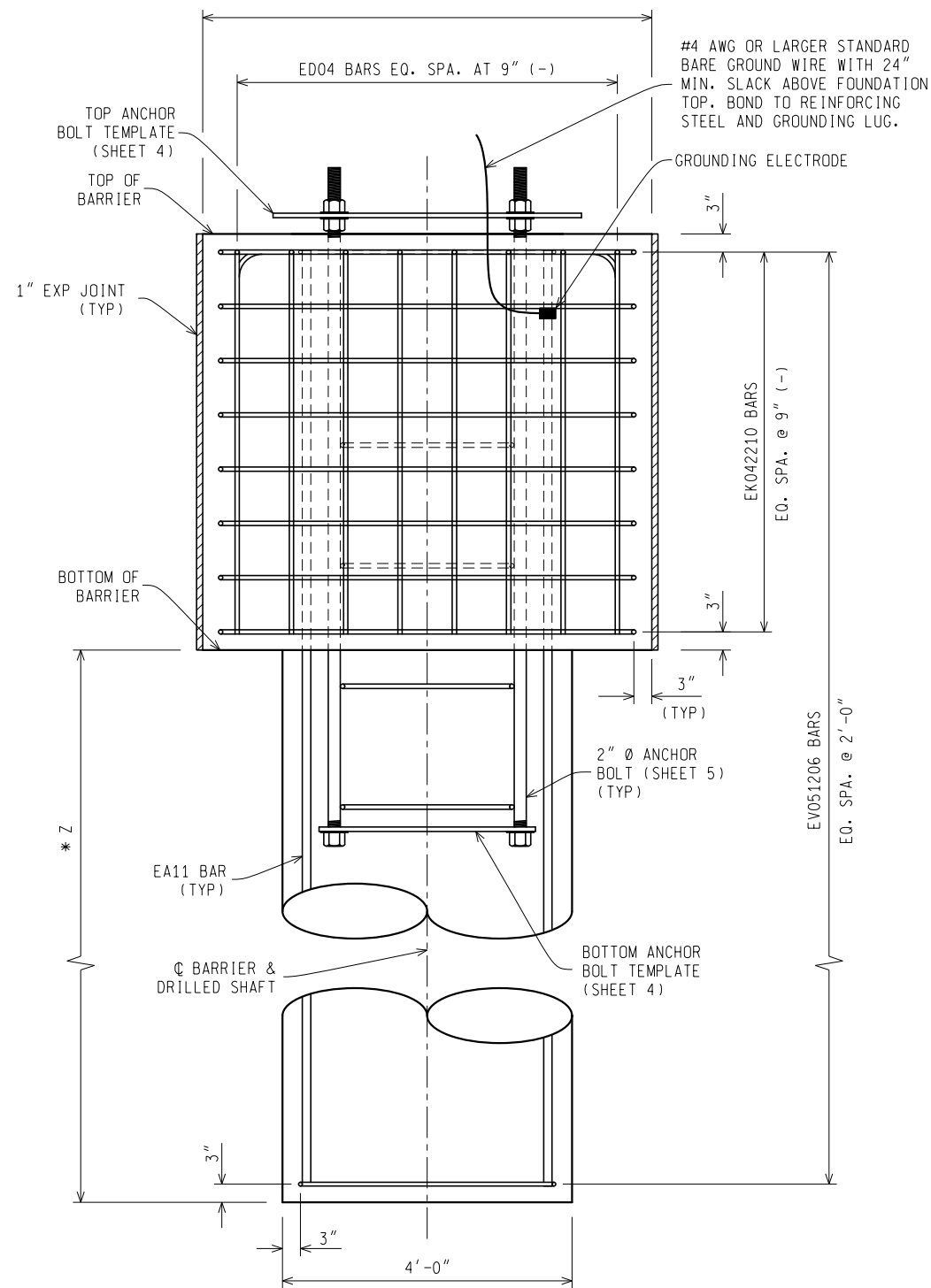
NO SCALE

DATE:	CS:
PRINT DATE: 02/13/2020	JN:
DESIGN UNIT:	
FILE:	TSC:

DMS Sign Support Foundation

DRAWING SHEET
SECT

SHEET 1 OF 3



ELEVATION VIEW - TYPE B DRILLED SHAFT IN BARRIER WALL

* SEE CONTRACT PLANS FOR DEPTH OF DRILLED SHAFT.

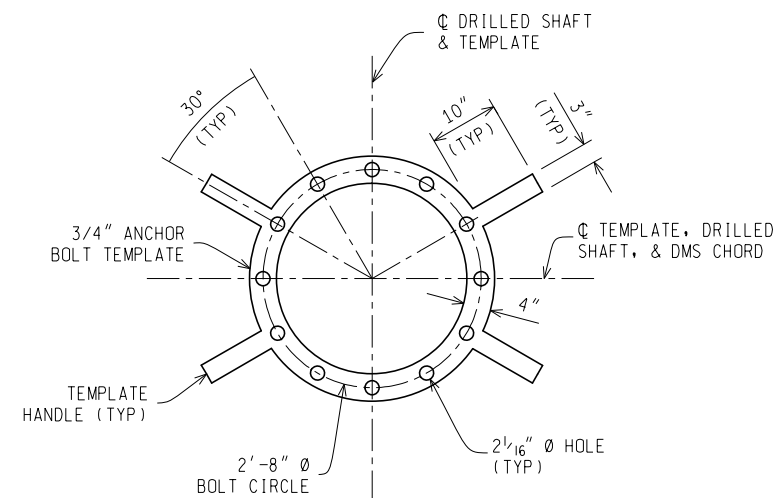
Rev.

NOT TO SCALE File: External Partnerships/ITS Program Office/ITS Standard Details/DMS Structure/ITS-032-A DMS Sign Support Foundation.dgn

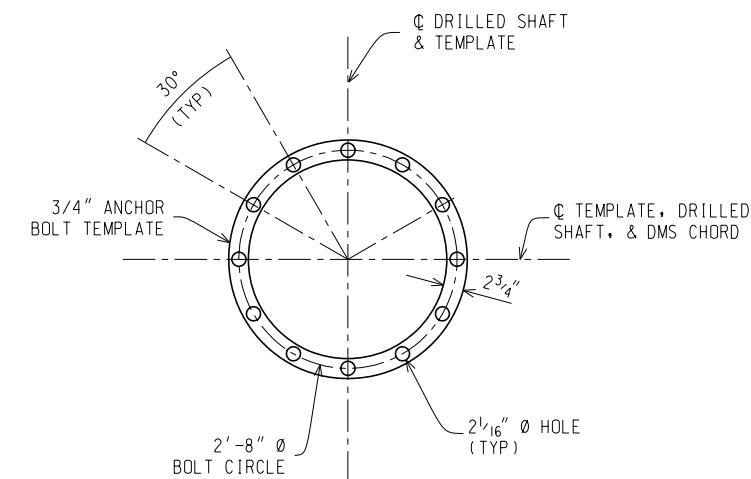
MICHIGAN DEPARTMENT OF TRANSPORTATION BUREAU OF DEVELOPMENT STANDARD PLAN	(SPECIAL DETAIL) FHWA APPROVAL DATE	02/06/20 PLAN DATE	ITS-032-A	SHEET 3 of 6
--	--	-----------------------	-----------	-----------------

NOTES:

1. THE FINISHED GRADE FOR THE PURPOSES OF ROADSIDE SIGNS INSTALLED ON SLOPES IS THE UPSLOPE SIDE OF THE DRILLED SHAFT.
2. WELD V06 ANCHOR BOLT CAGE BAR REINFORCEMENT IN ACCORDANCE WITH LATEST AWS D1.4 USING E8018 OR E9018 ELECTRODES.
3. SUBSURFACE AND GROUNDWATER INFORMATION WILL BE OBTAINED FROM THE SOIL BORING LOG INFORMATION.



TOP ANCHOR BOLT TEMPLATE DETAIL



BOTTOM ANCHOR BOLT TEMPLATE DETAIL

Rev.

NOT TO SCALE File: External Partnerships/ITS Program Office/ITS Standard Details/DMS Structure/ITS-032-A DMS Sign Support Foundation.dgn

MICHIGAN DEPARTMENT OF TRANSPORTATION BUREAU OF DEVELOPMENT STANDARD PLAN	(SPECIAL DETAIL) FHWA APPROVAL DATE	02/06/20 PLAN DATE	ITS-032-A	SHEET 4 of 6
--	--	-----------------------	-----------	-----------------

FINAL ROW PLAN REVISIONS (SUBMITTAL DATE:)							
NO.	DATE	AUTH	DESCRIPTION	NO.	DATE	AUTH	DESCRIPTION



NO SCALE

PRINT DATE: 02/13/2020
FILE:

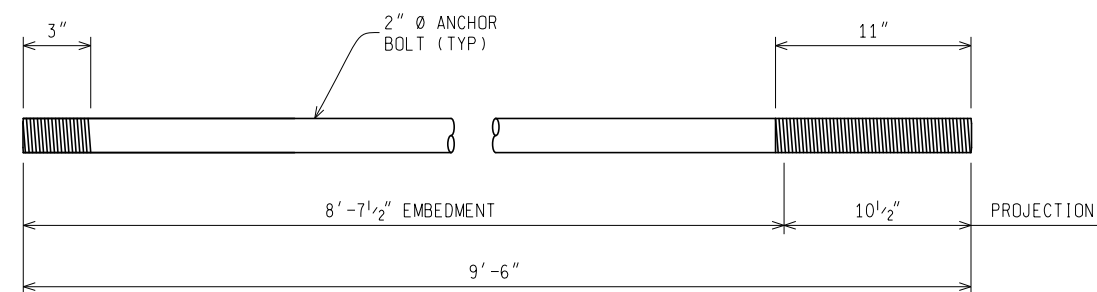
DATE:
DESIGN UNIT:
TSC:

CS:
JN:

DMS Sign Support Foundation

SHEET 2 OF 3

DRAWING SHEET
SECT



ANCHOR BOLT DETAIL

MISCELLANEOUS QUANTITIES (FOR INFORMATION ONLY)	
* STEEL WEIGHT = 16,398 Lbs	
CONDUIT, 1 INCH = 8.5 Ft	
CONDUIT, 3 INCH = 10.5 Ft	
CONDUIT, 1½ INCH = 10.0 Ft	
** SUBSTRUCTURE CONCRETE = 0.50 CY/Ft	
STEEL REINFORCEMENT, EPOXY COATED = 76 Lb/Ft	
SAFETY GATE = 1 Ea.	
* STEEL WEIGHT INCLUDES COLUMN, CHORDS, DIAGONALS, VERTICALS, GUSSET PLATES, BASE PLATES, HORIZONTAL PLATFORM SUPPORTS, VERTICAL PLATFORM SUPPORTS, STIFFENER PLATES, U BOLTS, ANCHOR BOLTS, BOLTS FOR ALL OTHER CONNECTIONS, LADDER RUNGS, LADDER BARS, AND KICK PLATE. COLUMN HEIGHT IS BASED ON A 32 FT DIMENSION FROM THE TOP OF THE BASE PLATE TO THE CENTER OF THE BOTTOM CHORD.	
** STEEL REINFORCEMENT WEIGHT IS IN TERMS OF LBS/FT OF DRILLED SHAFT LENGTH. THIS DOES NOT INCLUDE THE REINFORCING BARS FOR THE MEDIAN BARRIER.	

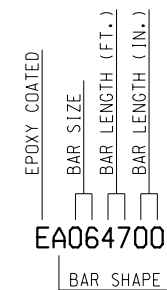
Rev.

NOT TO SCALE File: External Partnerships/ITS Program Office/ITS Standard Details/DMS Structure/ITS-032-A DMS Sign Support Foundation.dgn

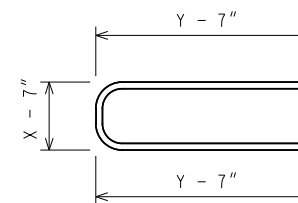
MICHIGAN DEPARTMENT OF TRANSPORTATION BUREAU OF DEVELOPMENT STANDARD PLAN	(SPECIAL DETAIL) FHWA APPROVAL DATE	02/06/20 PLAN DATE	ITS-032-A	SHEET 5 of 6
--	--	-----------------------	-----------	-----------------



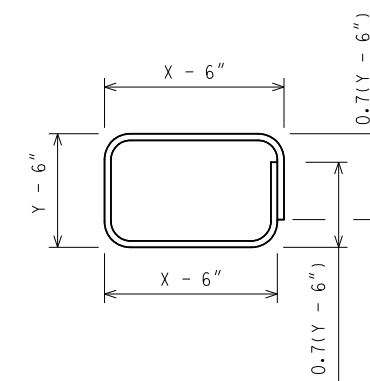
EA BAR



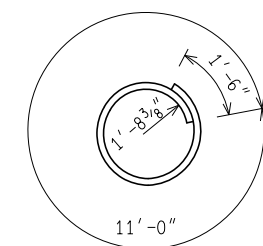
BAR LEGEND



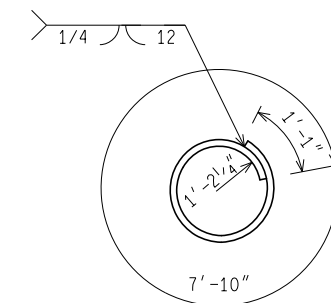
ED041509



EK042210



EV051206



V060811

REINFORCEMENT DETAILS

Rev.

NOT TO SCALE File: External Partnerships/ITS Program Office/ITS Standard Details/DMS Structure/ITS-032-A DMS Sign Support Foundation.dgn

MICHIGAN DEPARTMENT OF TRANSPORTATION BUREAU OF DEVELOPMENT STANDARD PLAN	(SPECIAL DETAIL) FHWA APPROVAL DATE	02/06/20 PLAN DATE	ITS-032-A	SHEET 6 of 6
--	--	-----------------------	-----------	-----------------

FINAL ROW PLAN REVISIONS (SUBMITTAL DATE:)							
NO.	DATE	AUTH	DESCRIPTION	NO.	DATE	AUTH	DESCRIPTION



NO SCALE

PRINT DATE: 02/13/2020
FILE:

DATE:
DESIGN UNIT:
TSC:

CS:
JN:

DMS Sign Support Foundation

SHEET 3 OF 3

DRAWING SHEET
SECT