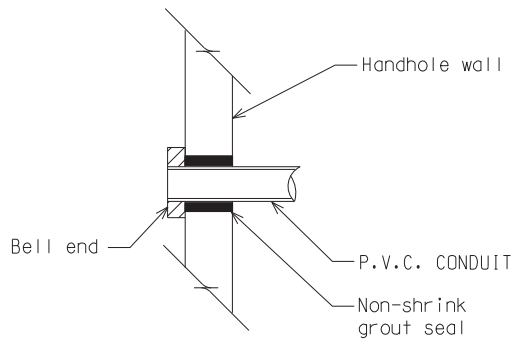


2' PRECAST ROUND HANDHOLE WITH FLOOR



TYPICAL CONDUIT ENTRANCE AT HANDHOLE

NOT TO SCALE

File: RefDoc/TR/Signals/Web/Sp Det/Fin/SIG240A.dgn Rev. 02/16/17



PREPARED BY  
TRAFFIC AND SAFETY

DRAWN BY: DJF

CHECKED BY:

\_\_\_\_\_  
ENGINEER OF DELIVERY

\_\_\_\_\_  
ENGINEER OF DEVELOPMENT

(SPECIAL DETAIL)

FHWA APPROVAL DATE

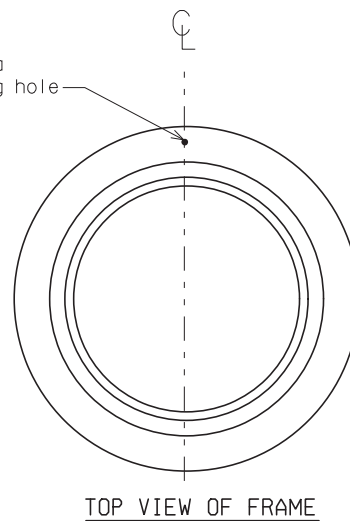
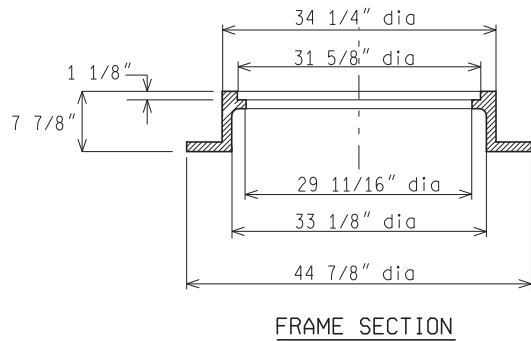
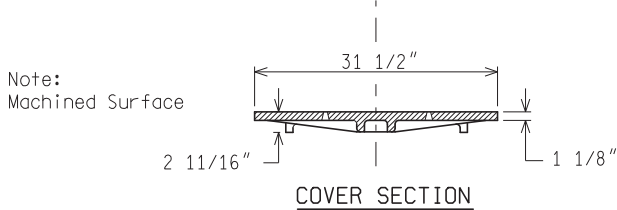
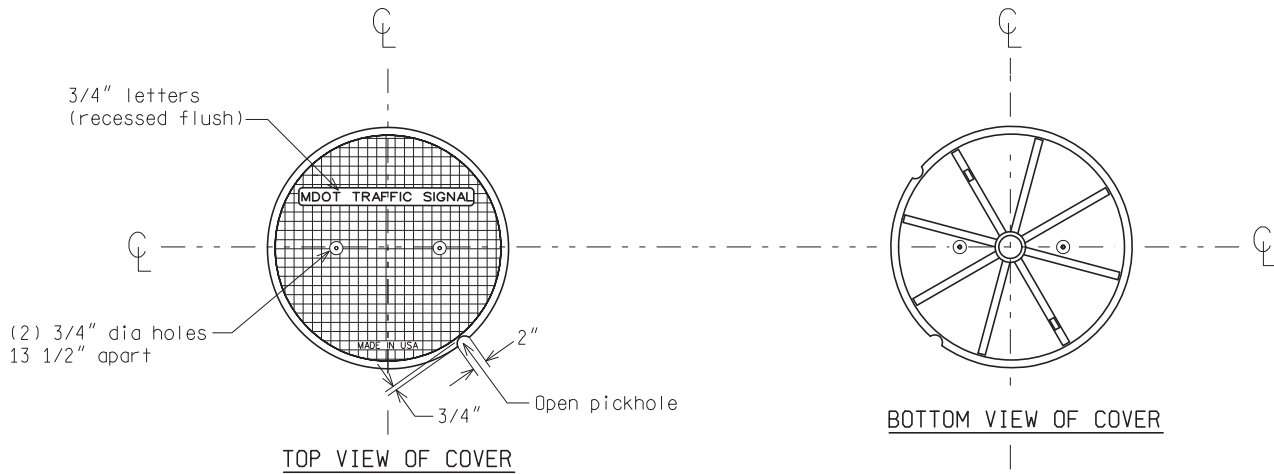
MICHIGAN DEPARTMENT OF TRANSPORTATION  
BUREAU OF HIGHWAYS DELIVERY STANDARD PLAN FOR

**HANDHOLE- PRECAST,  
POLYMER CONCRETE**

\_\_\_\_\_  
PLAN DATE

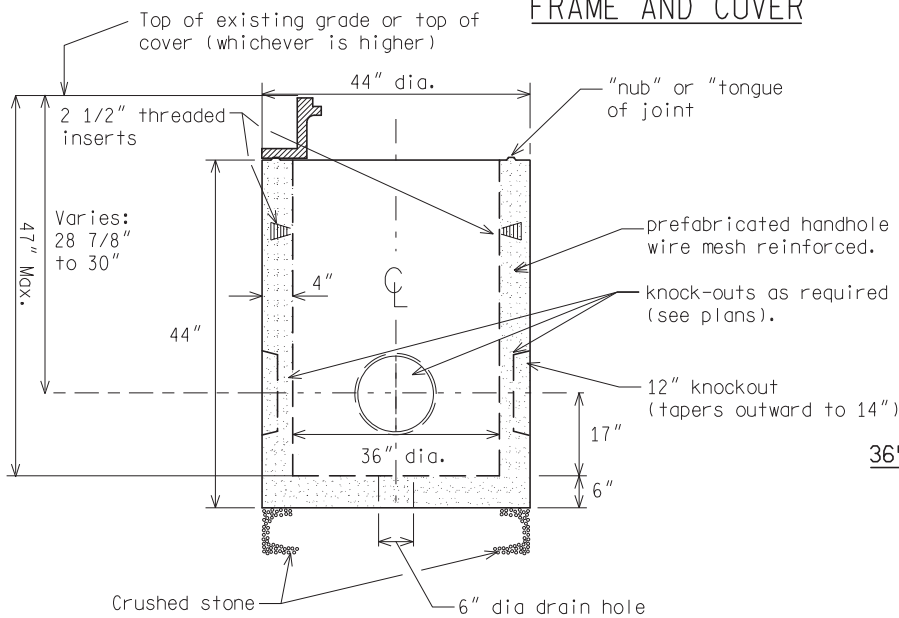
**SIG-240-A**

SHEET  
1 of 6



The H. D. frame and cover shall be manufactured by East Jordan Iron Works, Model 1220 or approved equal.

**FRAME AND COVER**



**NOTE:**  
Logo imprint may read "Traffic Signal" for non MDOT Installation

**36" PRECAST ROUND HANDHOLE SECTION DETAIL**

**3' DIAMETER ROUND PRECAST CONCRETE HANDHOLE**

NOT TO SCALE

MICHIGAN DEPARTMENT OF TRANSPORTATION  
BUREAU OF HIGHWAYS DELIVERY STANDARD PLAN

(SPECIAL DETAIL)  
FHWA APPROVAL DATE

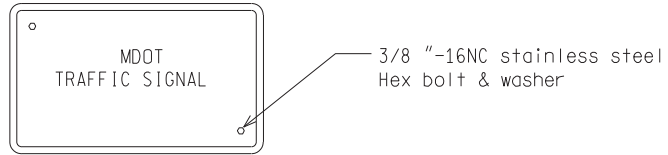
File: RefDoc/TR/Signals/Web/Sp Det/Fin/SIG240A.dgn Rev. 02/16/17

PLAN DATE

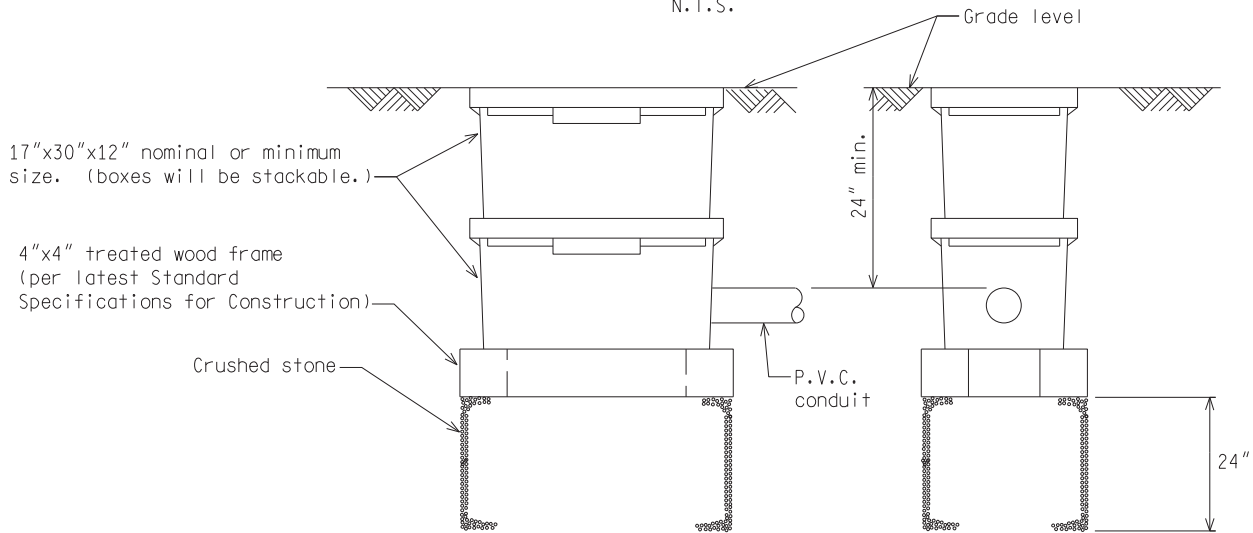
SIG-240-A

SHEET  
2 of 6

NOTE:  
Logo imprint may read "Traffic Signal"  
for non MDOT installations



COVER  
N.T.S.



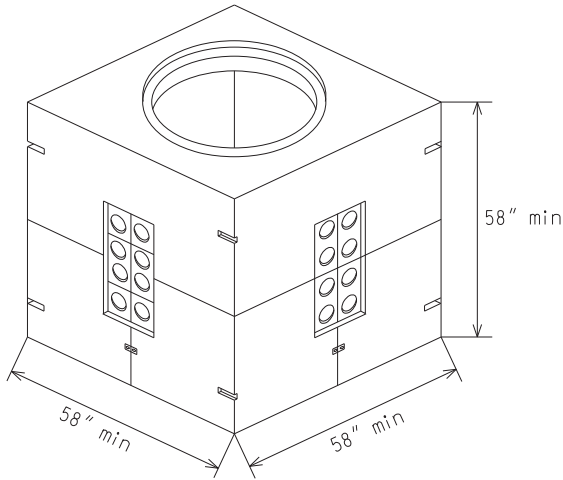
POLYMER CONCRETE HANDHOLE

NOTES PERTAIN TO PRECAST OR BRICK:

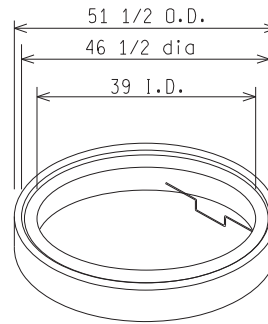
- 1) The material and workmanship shall be in accordance with the current M.D.O.T. Standard Specifications for Construction.
- 2) All concrete masonry shall be grade 30M.
- 3) The inner surface of the handhole shall be smooth.
- 4) Heavy Duty covers shall be castings which meet the requirements of the current specifications for gray iron castings ASTM designation A48 and shall have a minimum strength as provided for Class No. 30 gray iron castings.
- 5) All castings shall be cleaned by sand blasting.
- 6) The seating face of the cover and the seat for the same on the frame if required, shall be ground or machined so that the cover shall have an even bearing on its seat to prevent rocking or tilting.
- 7) The castings shall be free of pouring faults, blow holes, cracks, and other imperfections. They shall be sound, true to form and thickness, clean and neatly finished and shall be coated with tar pitch varnish.
- 8) Light Duty cover shall be bolted to frame with not less than 2 countersunk Hex head bronze bolts.
- 9) The Heavy Duty cover & frame shall be East Jordan Iron Works #8206 Neenah Foundry, #R-6662-HP for square cover or East Jordan Iron Works #2860 Type "A", Neenah Foundry #R-6052 D for circular cover or an approved equal.
- 10) Handhole shall be equipped with cable rack and hooks to train cable.

NOT TO SCALE

MICHIGAN DEPARTMENT OF TRANSPORTATION BUREAU OF HIGHWAYS DELIVERY STANDARD PLAN	(SPECIAL DETAIL) FHWA APPROVAL DATE		SIG-240-A	SHEET 3 of 6
File: RefDoc/TR/Signals/Web/Sp Det/Fin/SIG240A.dgn Rev. 02/16/17		PLAN DATE		



NOTE:  
Galvanized step is standard with  
grade ring ASTM C478.



Dimensions	
A	Min Wt. (lbs)
6	440
9	650
12	860

	Length	Width	Height
Inside	48	48	48
Outside	58	58	58
Recommended Hole size	82	82	--

GRADE RING WITH 39" I.D. &  
46 1/2" RECESS

	Min Thickness	Min Weight lbs
Wall	5	Top 3300
Roof	5	Bottom 3850
Floor	5	Total 7150

4' x 4' x 4' PRECAST CONCRETE HANDHOLE

NOT TO SCALE

MICHIGAN DEPARTMENT OF TRANSPORTATION  
BUREAU OF HIGHWAYS DELIVERY STANDARD PLAN

(SPECIAL DETAIL)  
FHWA APPROVAL DATE

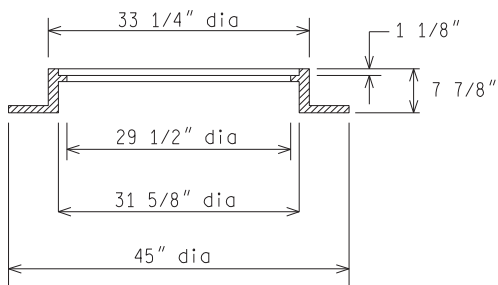
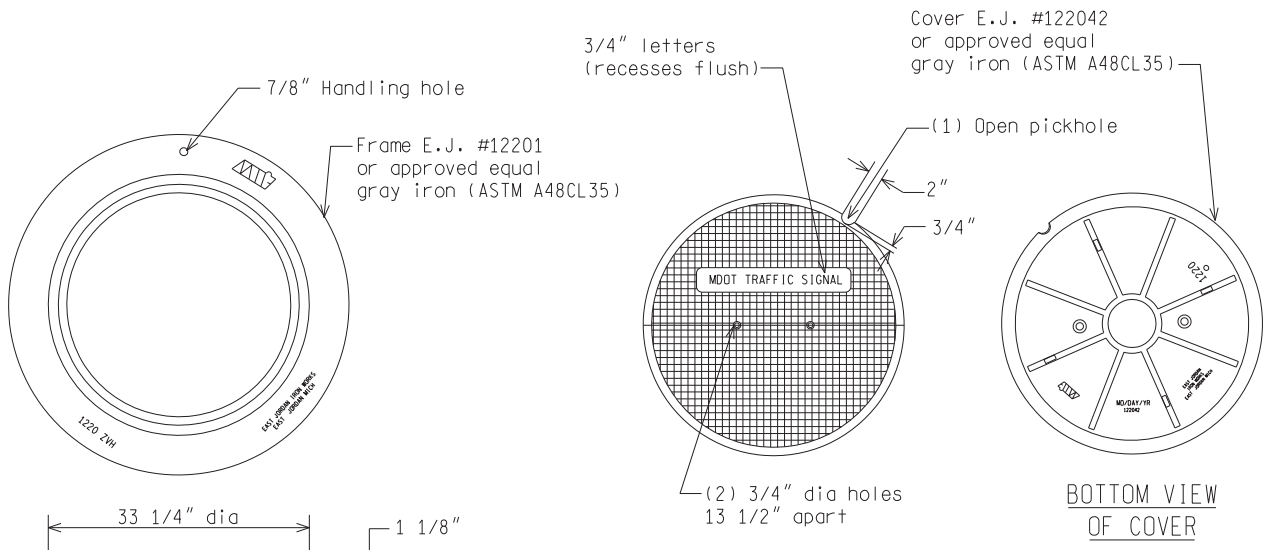
File: RefDoc/TR/Signals/Web/Sp Det/Fin/SIG240A.dgn Rev. 02/16/17

PLAN DATE

SIG-240-A

SHEET  
4 of 6

NOTE:  
 Logo imprint it on cover shall  
 read "MDOT Traffic Signal" for  
 MDOT installations

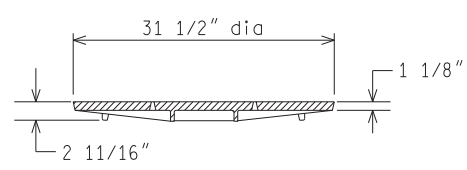


FRAME SECTION

MANHOLE FRAME  
(HEAVY DUTY)

Estimated weight 410 lbs

NOTE:  
 Machined surface



COVER SECTION

MANHOLE COVER  
(HEAVY DUTY)

Estimated weight 245 lbs

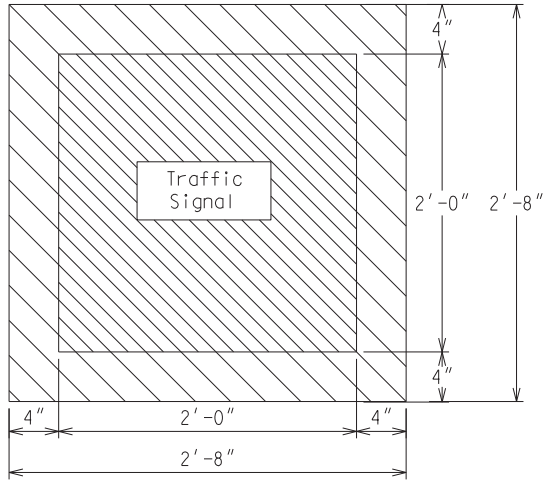
NOTE:  
 Machined surface

4' x 4' x 4' PRECAST CONCRETE HANDHOLE

NOT TO SCALE

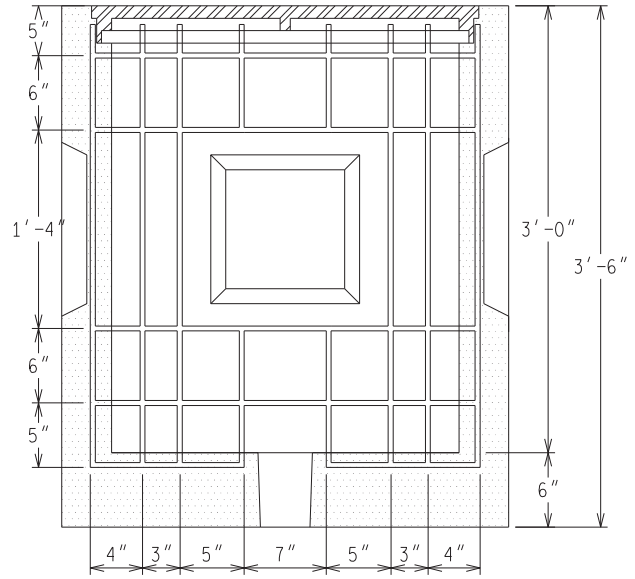
MICHIGAN DEPARTMENT OF TRANSPORTATION BUREAU OF HIGHWAYS DELIVERY STANDARD PLAN	(SPECIAL DETAIL) FHWA APPROVAL DATE	PLAN DATE	SIG-240-A	SHEET 5 of 6
File: RefDoc/TR/Signals/Web/Sp Det/Fin/SIG240A.dgn Rev. 02/16/17				

Concrete: 4500 p.s.i. @ 28 days  
 Reinforcement: Grade 60 rebar  
 All bars are #4



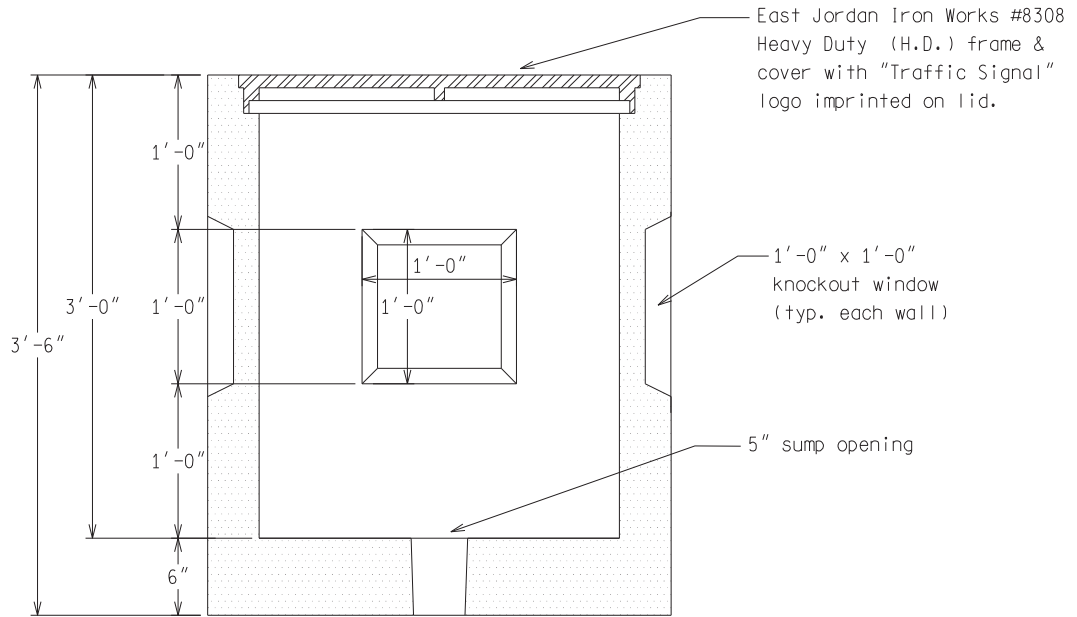
PLAN VIEW

With out frame & cover



SECTION VIEW

Typ. reinforcement all walls



SECTION VIEW

2' x 2' SQUARE x 3' HANDHOLE

For use on Oakland County roads only.

NOT TO SCALE

MICHIGAN DEPARTMENT OF TRANSPORTATION  
 BUREAU OF HIGHWAYS DELIVERY STANDARD PLAN

(SPECIAL DETAIL)  
 FHWA APPROVAL DATE

File: RefDoc/TR/Signals/Web/Sp Det/Fin/SIG240A.dgn Rev. 02/16/17

PLAN DATE

SIG-240-A

SHEET  
 6 of 6