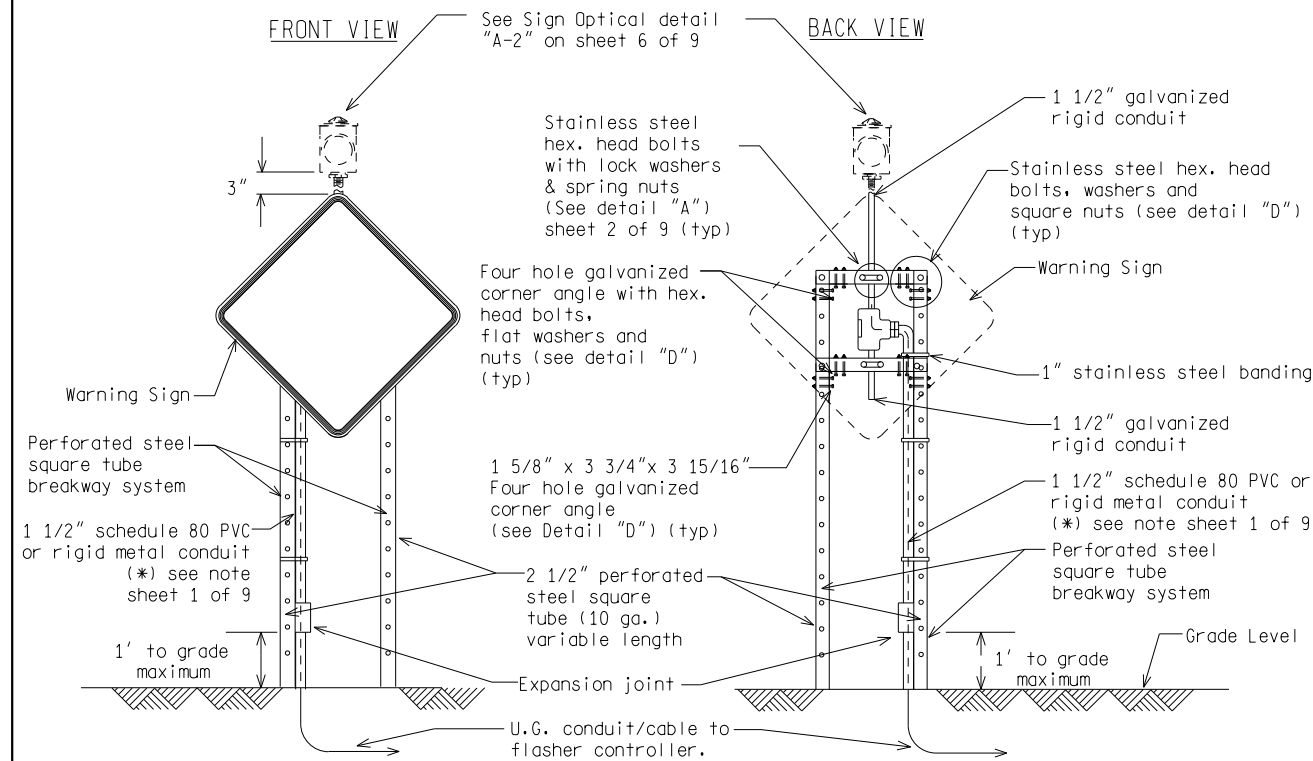


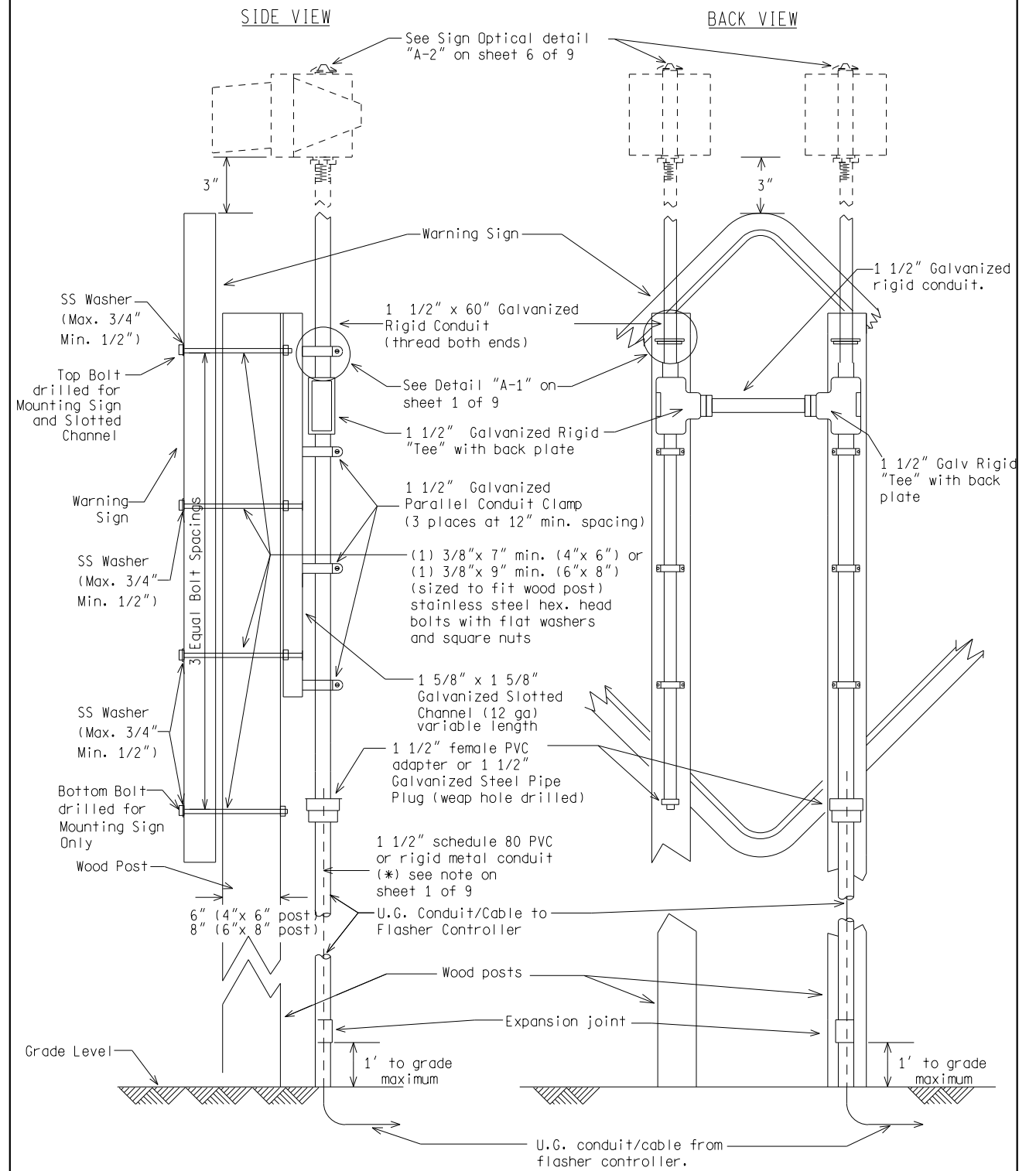
DETAIL "D"



SINGLE SIGN MOUNTED FLASHING BEACON
INSTALLED ON TWO STEEL POSTS
(PERFORATED STEEL SQUARE TUBE BREAKAWAY SYSTEM)

NOT TO SCALE

MICHIGAN DEPARTMENT OF TRANSPORTATION BUREAU OF HIGHWAYS DELIVERY STANDARD PLAN	(SPECIAL DETAIL) FHWA APPROVAL DATE		SIG-320-A	SHEET 3 of 9
File: RefDoc/TR/Signals/Web/Sp Det/Fin/SIG320A.dgn	Rev. 02/16/17	PLAN DATE		



SIGN MOUNTED DUAL FLASHING BEACONS
INSTALLED ON TWO WOOD POSTS

NOT TO SCALE

MICHIGAN DEPARTMENT OF TRANSPORTATION BUREAU OF HIGHWAYS DELIVERY STANDARD PLAN	(SPECIAL DETAIL) FHWA APPROVAL DATE		SIG-320-A	SHEET 4 of 9
File: RefDoc/TR/Signals/Web/Sp Det/Fin/SIG320A.dgn	Rev. 02/16/17	PLAN DATE		

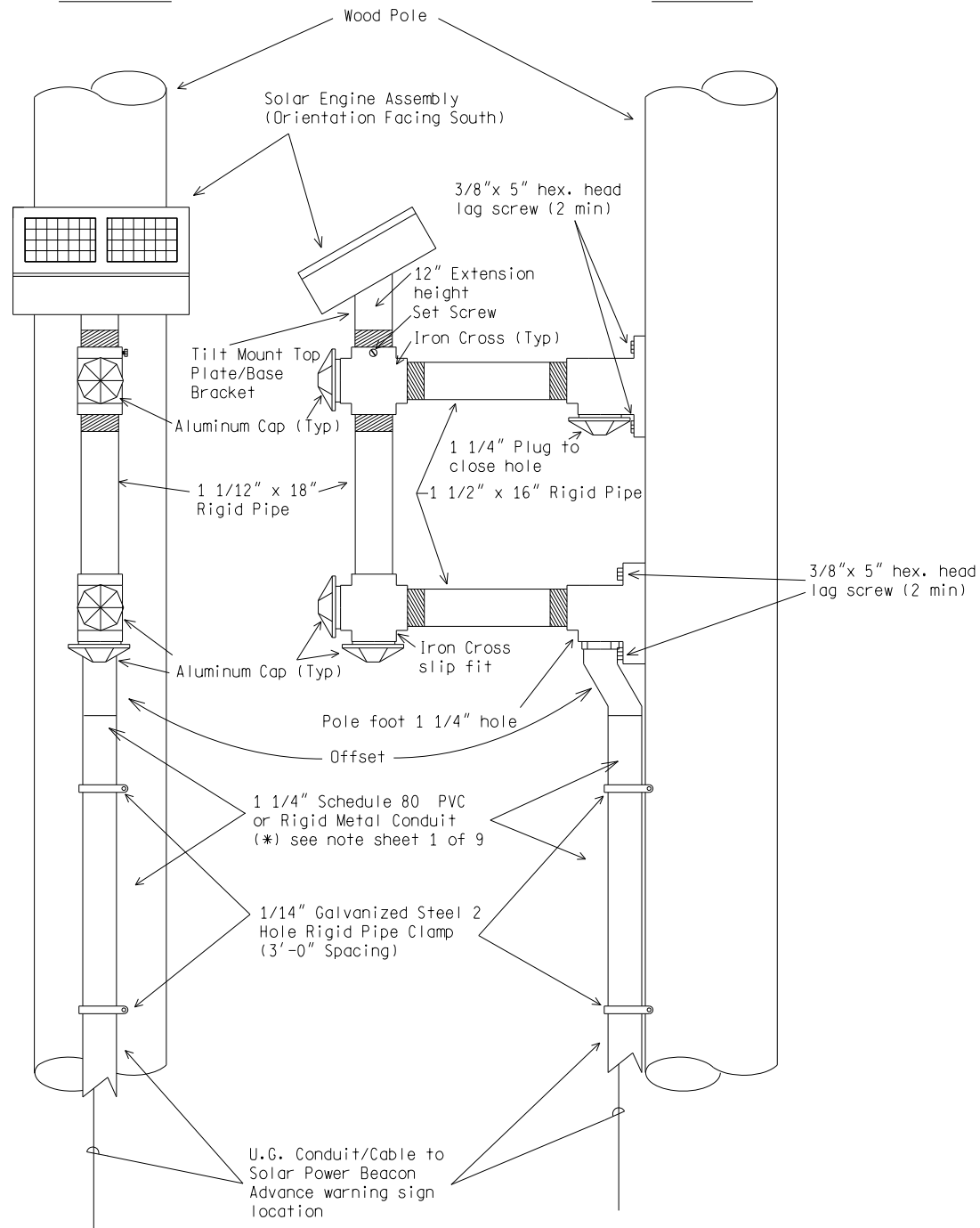
AS-LET PLAN REVISIONS							
NO.	DATE	AUTH	DESCRIPTION	NO.	DATE	AUTH	DESCRIPTION



DATE:	CS:	DRAWING	SHEET
DESIGN UNIT:	JN:		
FILE:	TSC:		

FRONT VIEW

SIDE VIEW



SOLAR ENGINE ASSEMBLY MOUNTED WOOD POLE

NOT TO SCALE

MICHIGAN DEPARTMENT OF TRANSPORTATION
BUREAU OF HIGHWAYS DELIVERY STANDARD PLAN

FHWA APPROVAL DATE

SIG-320-A

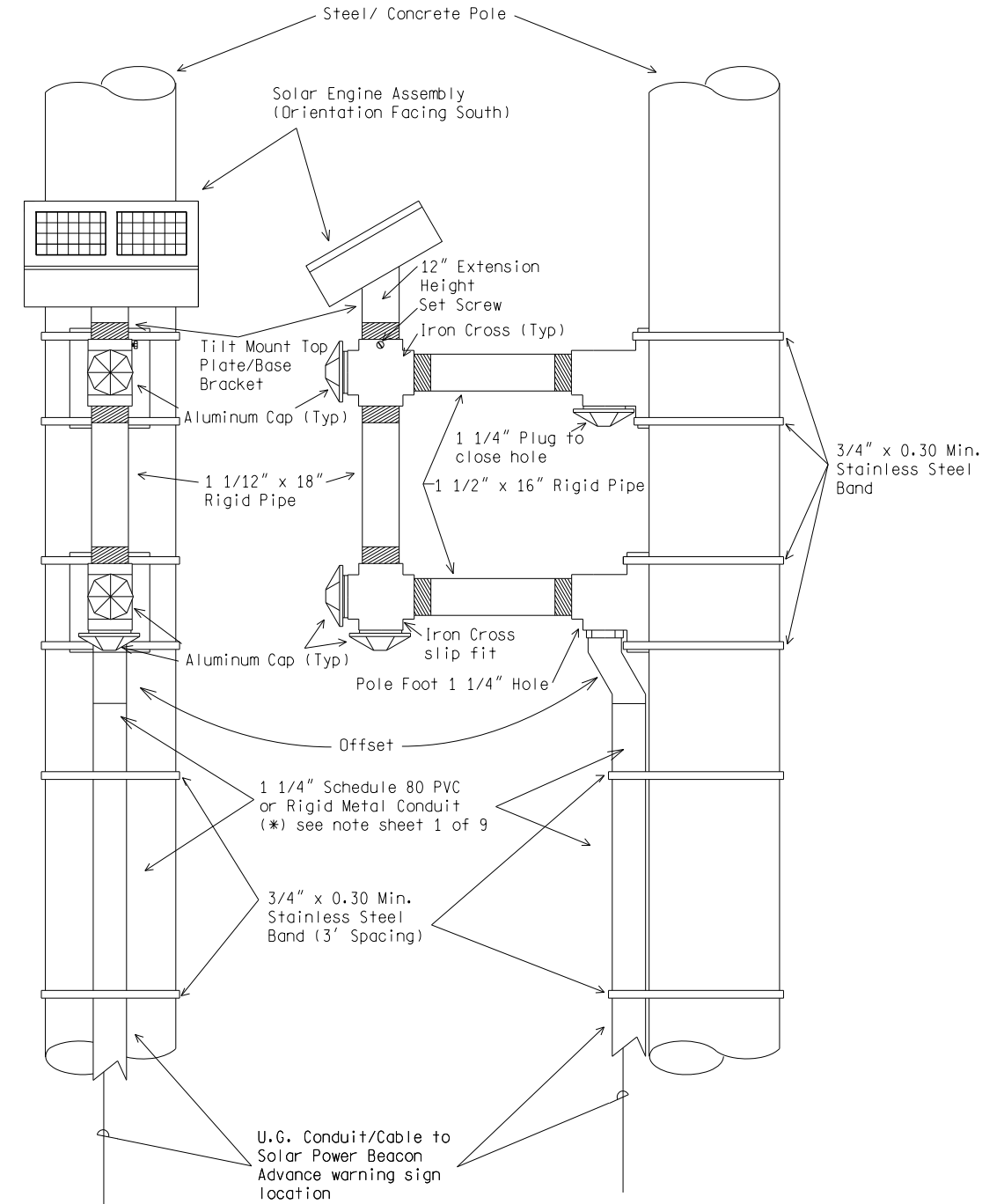
SHEET
7 of 9

File: RefDoc/TR/Signals/Web/Sp Det/F in/SIG320A.dgn Rev. 02/16/17

PLAN DATE

FRONT VIEW

SIDE VIEW



SOLAR ENGINE ASSEMBLY MOUNTED ON STEEL/CONCRETE POLE

NOT TO SCALE

MICHIGAN DEPARTMENT OF TRANSPORTATION
BUREAU OF HIGHWAYS DELIVERY STANDARD PLAN

(SPECIAL DETAIL)
FHWA APPROVAL DATE

SIG-320-A

SHEET
8 of 9

File: RefDoc/TR/Signals/Web/Sp Det/F in/SIG320A.dgn Rev. 02/16/17

PLAN DATE

AS-LET PLAN REVISIONS

NO.	DATE	AUTH	DESCRIPTION	NO.	DATE	AUTH	DESCRIPTION

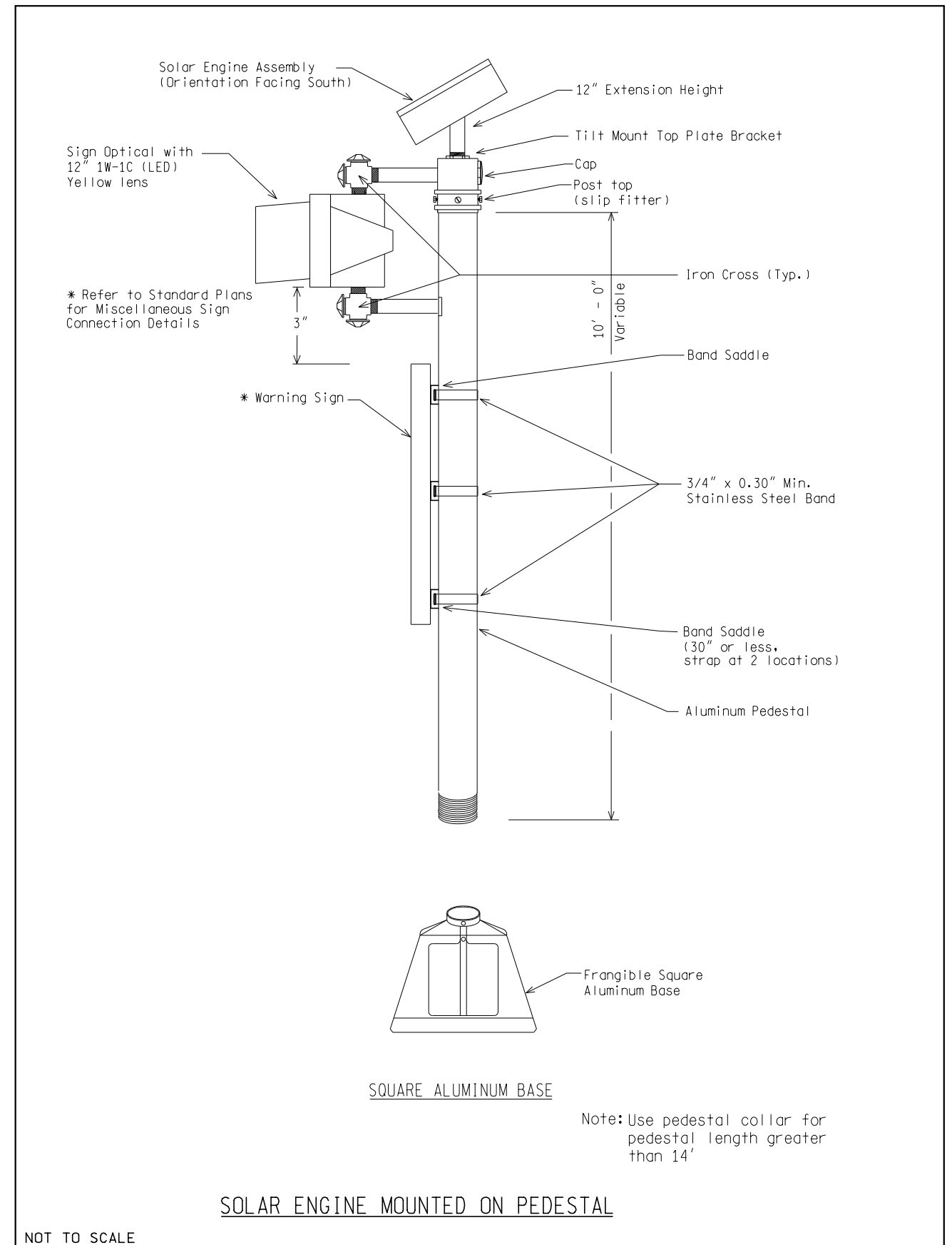


FILE:

DATE:
DESIGN UNIT:
TSC:

CS:
JN:

DRAWING SHEET



NOT TO SCALE

MICHIGAN DEPARTMENT OF TRANSPORTATION BUREAU OF HIGHWAYS DELIVERY STANDARD PLAN	(SPECIAL DETAIL) FHWA APPROVAL DATE	PLAN DATE	SIG-320-A	SHEET 9 of 9
File: RefDoc/TR/Signals/Web/Sp Det/F in/SIG320A.dgn		Rev. 02/16/17		

AS-LET PLAN REVISIONS							
NO.	DATE	AUTH	DESCRIPTION	NO.	DATE	AUTH	DESCRIPTION



DATE:	CS:	DRAWING	SHEET
DESIGN UNIT:	JN:		
TSC:			
FILE:			