

	Color	Diagonal Span If Required	All Traffic Signals	Pedestrian	Pushbutton	Case Sign or Street Sign if Required	
		20/C	7/C	7/C	2/C	3/C	
1	White	Common (case sign)	Common	Common	Common	Common	
2	Black	Case sign	Spare	Spare	24V+	120V AC	
3	Red	A Ø-Red	A Ø-Red	DW1		Ground	
4	Green	A Ø-Green	A Ø-Green	W1			
5	Orange	A Ø-Amber	A Ø-Amber	DW2			
6	Blue	Green arrow	Green arrow	W2			
7	White w/black tracer	C Ø-Amber	FYA	Spare common			
8	Green w/black tracer	B Ø-Green					
9	Orange w/black tracer	B Ø-Amber					
10	Red w/black tracer	B Ø-Red					
11	Blue w/black tracer	C Ø-Green					
12	Black w/white tracer	C Ø-Red					
13	Green w/white tracer	D Ø-Green					
14	Orange w/red tracer	D Ø-Amber					
15	Red w/white tracer	D Ø-Red					
16	Black w/red tracer	FYA					
17	Blue w/white tracer	Spare					
18	Blue w/red tracer	Common					
19	White w/red tracer	Common					
20	Red w/green tracer	Case sign ground					

#12/3-conductor-colors 1 through 3
#16/7-conductor-colors 1 through 7
#14/12-conductor-colors 1 through 12
#14/20-conductor-colors 1 through 20
#12/2-conductor shielded 1 through 2

COLOR CODE FOR WIRING CONNECTION SIGNAL LAMPS

NOTE:

Neutrals from each LED shall be on individual terminals on terminal strip inside signal head, so that each neutral can be individually removed without affecting the performance of any other LED.

NOTE:

For 7/C traffic signal wires apply phase tape at any termination point as follows:

- A Ø-Green
- B Ø-Orange
- C Ø-Red
- D Ø-Blue

NOT TO SCALE

File: PW:TR/Sig/Web/OCSD/Develop/oc_026a.dgn

Rev. 09/18/12



PREPARED BY
TRAFFIC AND SAFETY

DRAWN BY:
CHECKED BY:

ENGINEER OF DELIVERY

ENGINEER OF DEVELOPMENT

(SPECIAL DETAIL)
FHWA APPROVAL DATE

MICHIGAN DEPARTMENT OF TRANSPORTATION
BUREAU OF HIGHWAYS DELIVERY STANDARD PLAN FOR

COLOR CODE FOR
WIRING OF SIGNALS

APRIL 2010
PLAN DATE

OC-026-A

SHEET
1 of 1

AS-LET PLAN REVISIONS

NO.	DATE	AUTH	DESCRIPTION	NO.	DATE	AUTH	DESCRIPTION

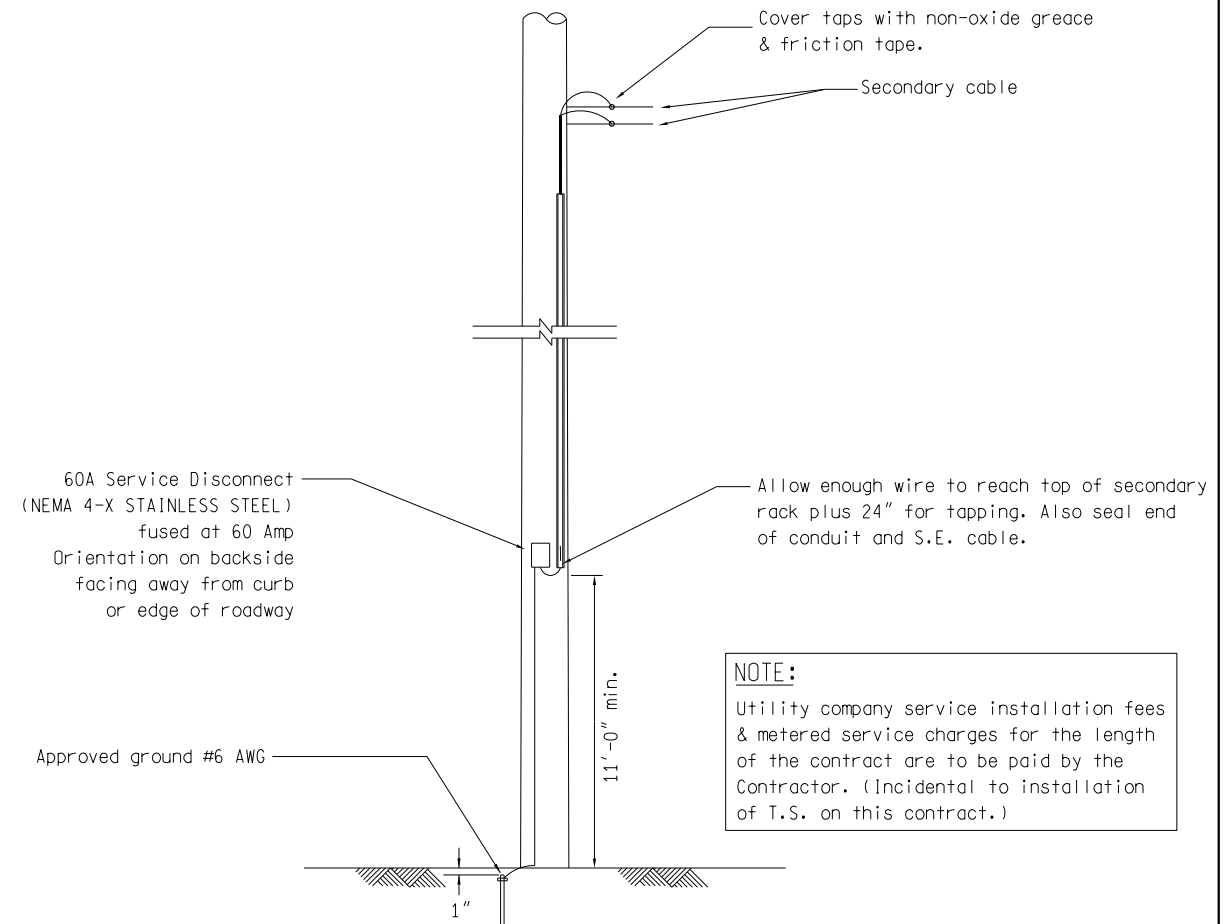


FILE:

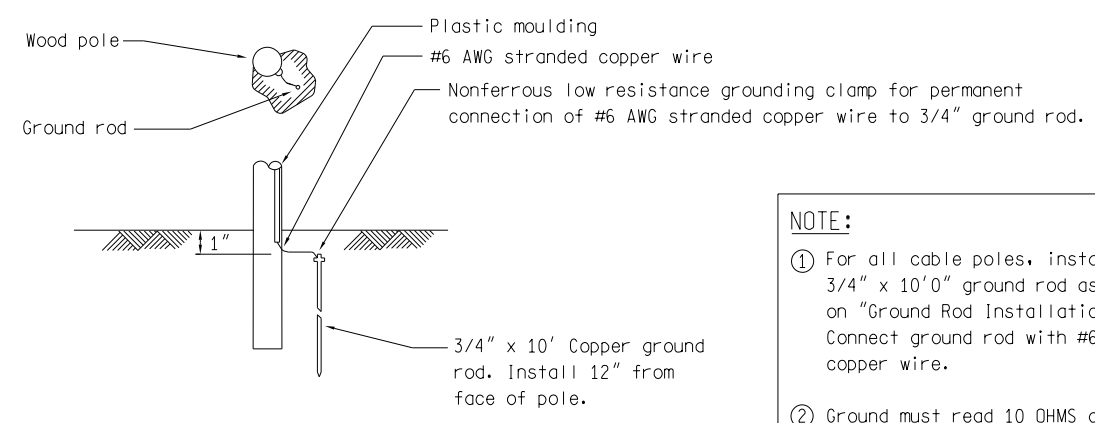
DATE:
DESIGN UNIT:
TSC:

CS:
JN:

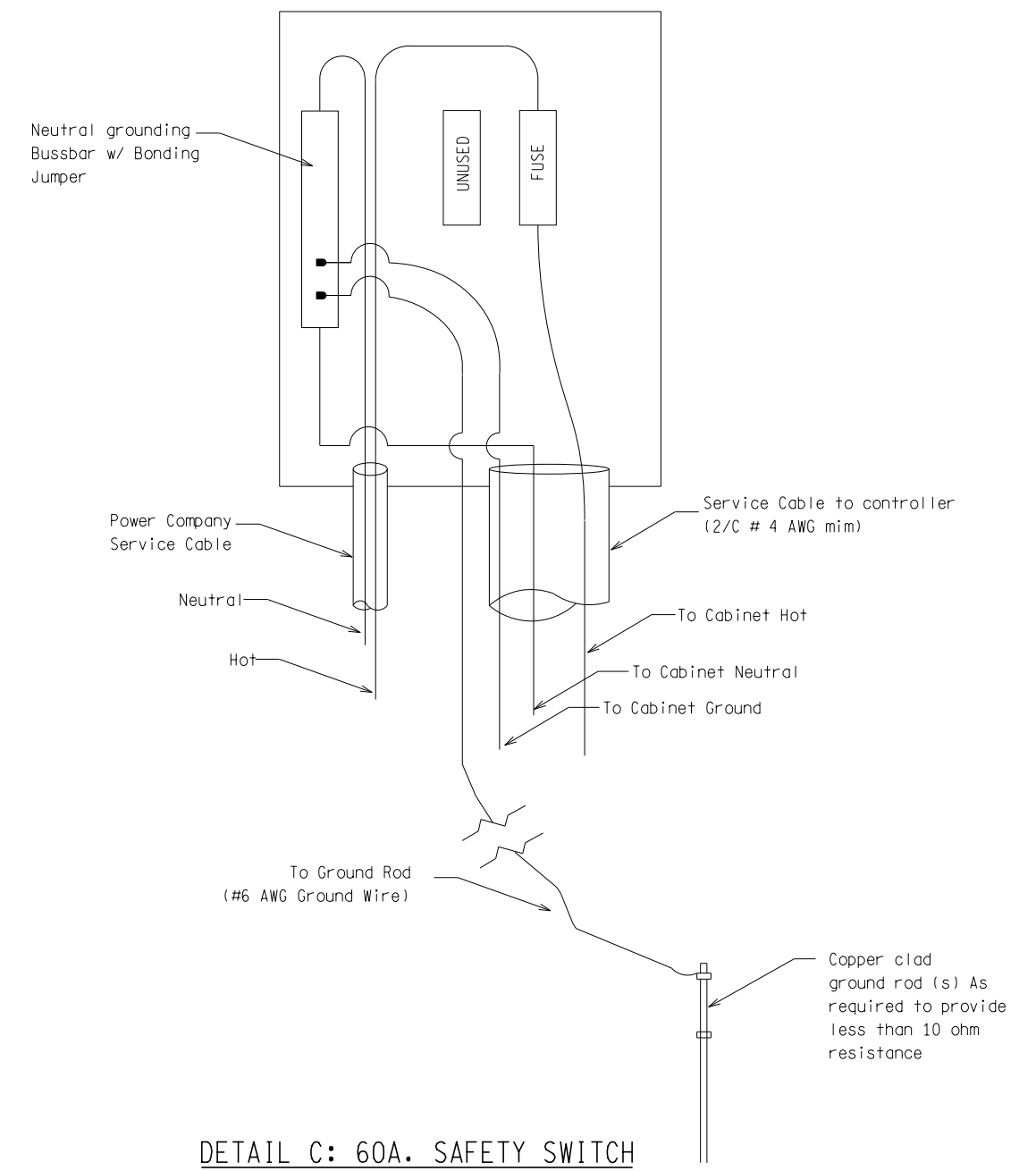
DRAWING SHEET



DETAIL A: SERVICE POLE



DETAIL B: GROUND ROD INSTALLATION



DETAIL C: 60A. SAFETY SWITCH

NOTES:
1. Separate ground rods shall be used when controller & safety switch are not on the same pole.
2. Check for 10 OHMS or less.

NOT TO SCALE

File: PW:TR/Sig/Web/OCSD/Develop/oc 24.dgn Rev. 12/28/12

<p>PREPARED BY TRAFFIC AND SAFETY</p>	ENGINEER OF DELIVERY	MICHIGAN DEPARTMENT OF TRANSPORTATION BUREAU OF HIGHWAYS DELIVERY STANDARD PLAN FOR TYPICAL CABLE POLES	
	ENGINEER OF DEVELOPMENT		
DRAWN BY:	(SPECIAL DETAIL)	APRIL 2010	SHEET
CHECKED BY:	FHWA APPROVAL DATE	PLAN DATE	1 of 2
		OC-050-C	

NOT TO SCALE

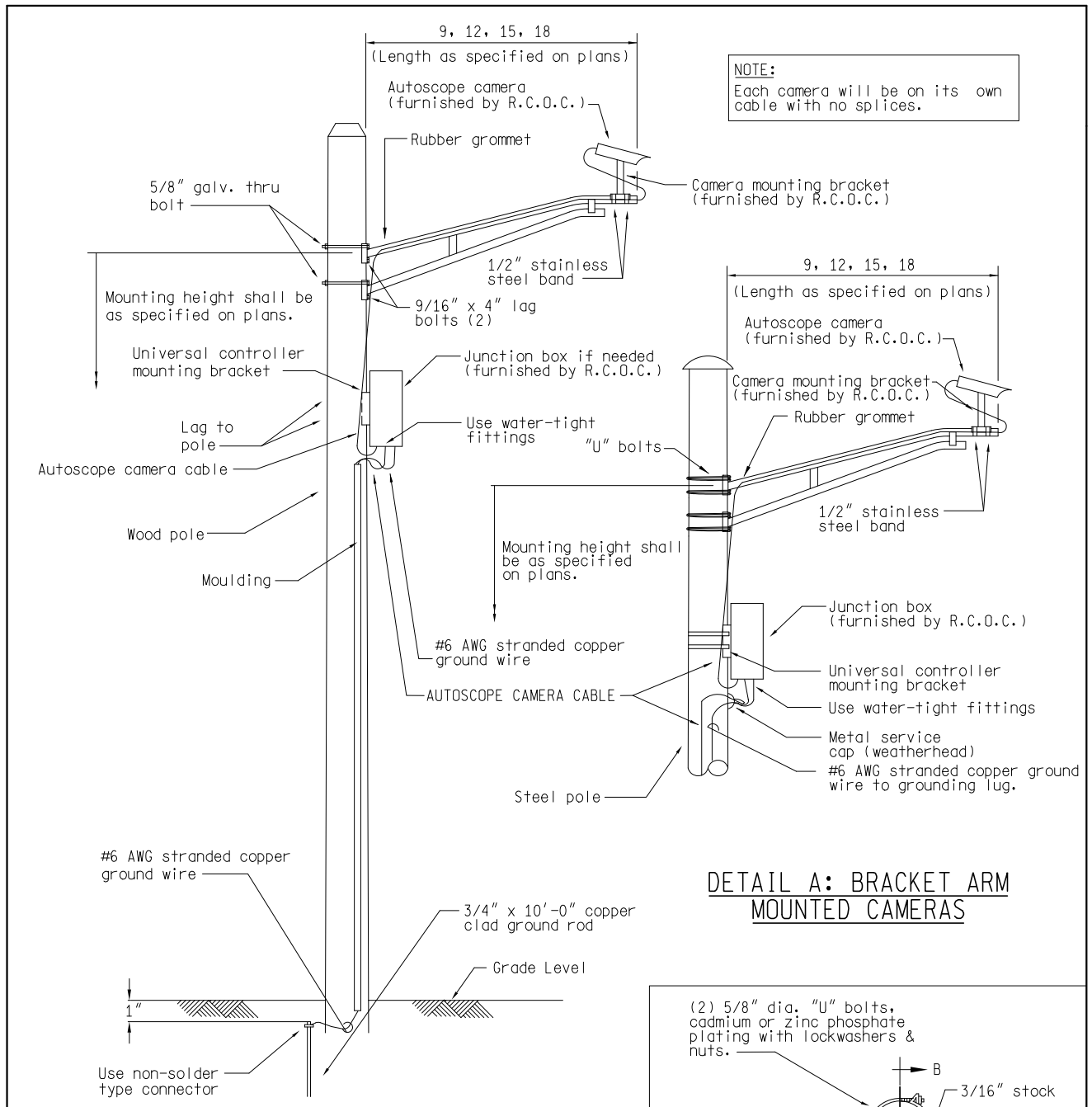
ROAD COMMISSION FOR OAKLAND COUNTY	(SPECIAL DETAIL) FHWA APPROVAL DATE	APRIL 2010	OC-050-C	SHEET 2 of 2
File: PW:TR/Sig/Web/OCSD/Develop/oc 24.dgn	Rev. 12/28/12	PLAN DATE		

AS-LET PLAN REVISIONS

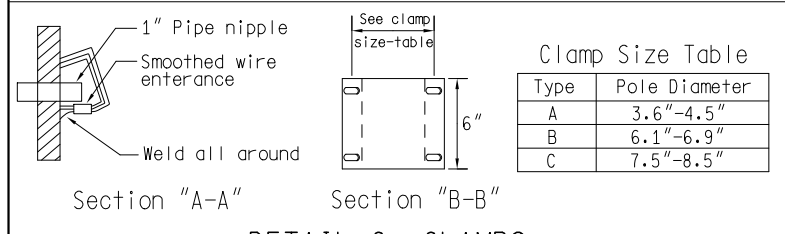
NO.	DATE	AUTH	DESCRIPTION	NO.	DATE	AUTH	DESCRIPTION



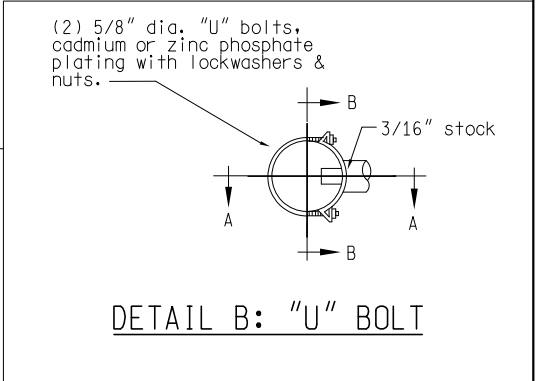
DATE:	CS:	DRAWING	SHEET
DESIGN UNIT:	JN:		
FILE:	TSC:		



DETAIL A: BRACKET ARM MOUNTED CAMERAS



DETAIL C: CLAMPS



DETAIL B: "U" BOLT

NOT TO SCALE

MDOT Michigan Department of Transportation

PREPARED BY TRAFFIC AND SAFETY

DRAWN BY: _____

CHECKED BY: _____

ENGINEER OF DELIVERY _____

ENGINEER OF DEVELOPMENT _____

(SPECIAL DETAIL) FHWA APPROVAL DATE _____

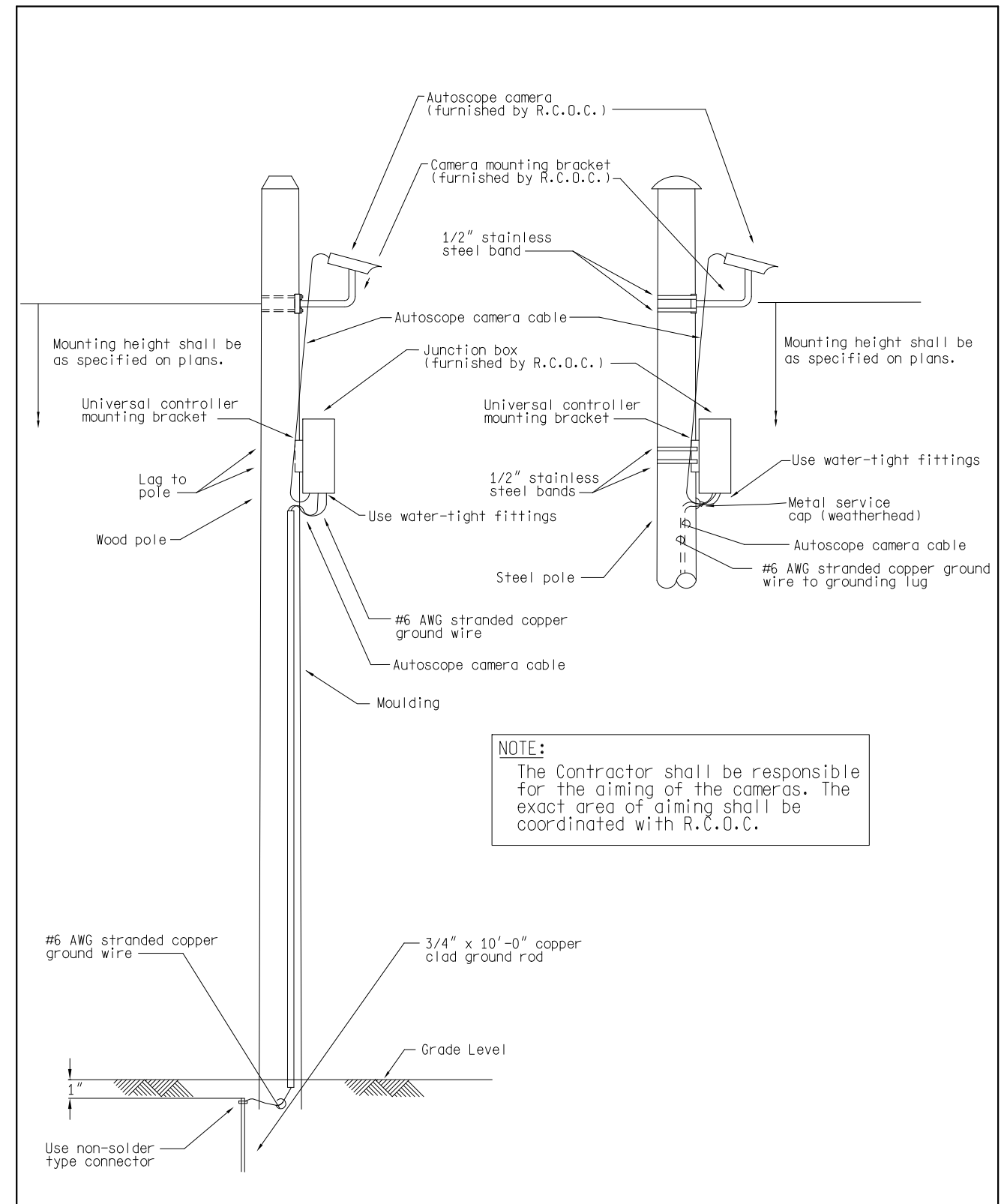
MICHIGAN DEPARTMENT OF TRANSPORTATION BUREAU OF HIGHWAYS DELIVERY STANDARD PLAN FOR AUTOSCOPE CAMERA INSTALLATION

APRIL 2010 PLAN DATE

OC-380-A

SHEET 1 of 4

File: PW:RD/TR/Signals/Web/Oakland County SD/Final Rev. 09/18/12



DETAIL D: POLE MOUNTED CAMERAS

NOT TO SCALE

MICHIGAN DEPARTMENT OF TRANSPORTATION BUREAU OF HIGHWAYS DELIVERY STANDARD PLAN (SPECIAL DETAIL) FHWA APPROVAL DATE

APRIL 2010 PLAN DATE

OC-380-A

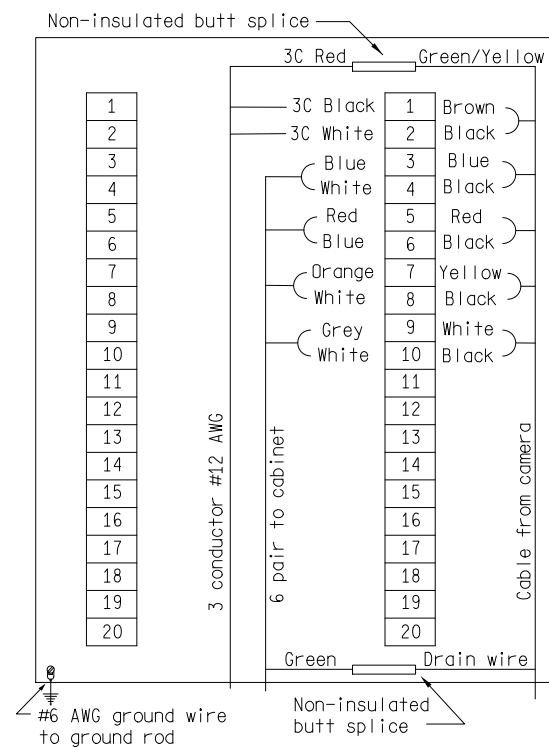
SHEET 2 of 4

File: _____ Rev. 09/18/12

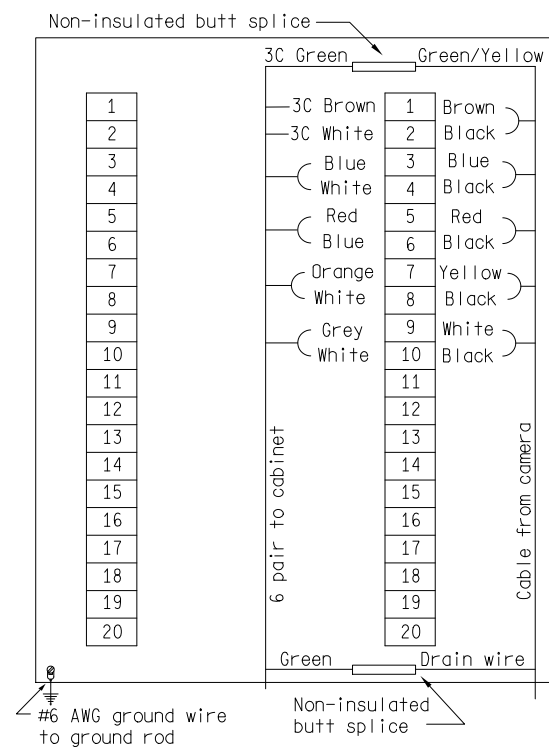
AS-LET PLAN REVISIONS							
NO.	DATE	AUTH	DESCRIPTION	NO.	DATE	AUTH	DESCRIPTION



DATE:	CS:	DRAWING	SHEET
DESIGN UNIT:	JN:		
TSC:			
FILE:			



DETAIL A: AUTOSCOPE SOLO WIRING DIAGRAM FOR LOCATIONS OF MORE THAN 650'



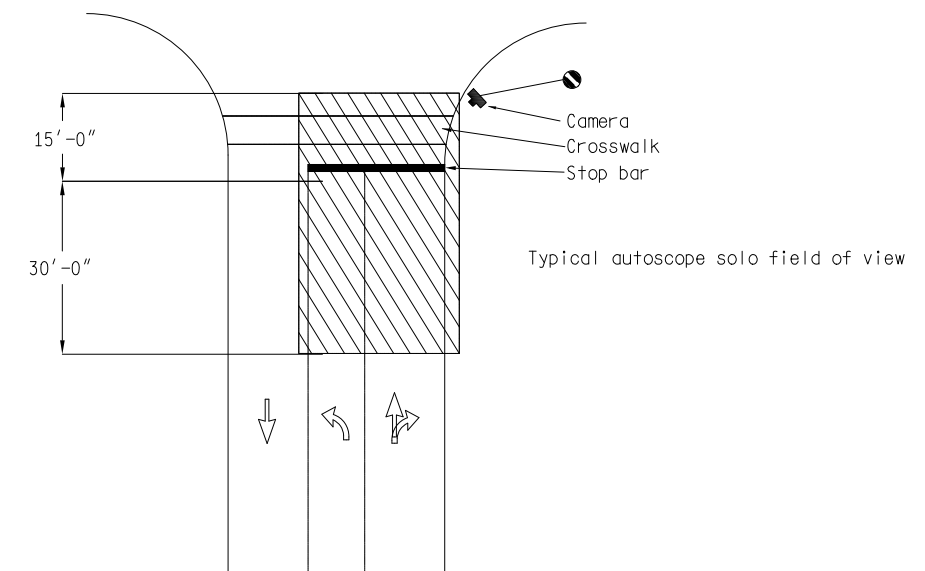
DETAIL B: AUTOSCOPE SOLO WIRING DIAGRAM FOR LOCATIONS OF 650' OR LESS

NOT TO SCALE

MICHIGAN DEPARTMENT OF TRANSPORTATION BUREAU OF HIGHWAYS DELIVERY STANDARD PLAN		(SPECIAL DETAIL) FHWA APPROVAL DATE	APRIL 2010 PLAN DATE	OC-380-A	SHEET 3 of 4
File:		Rev. 09/18/12			

Wire Color	Signal	Terminal
Brown	24V. PWR	1
White	24V. RTN	2
Green	EARTH GRD	3
Blue	SUP RX+	4
White	SUP RX-	5
Red	SUP TX+	6
Blue	SUP TX-	7
Orange	DET+	8
White	DET-	9
Grey	VIDEO+	10
White	VIDEO-	11

DETAIL C: AUTOSCOPE SOLO COMMUNICATIONS INTERFACE PANEL DIAGRAM



DETAIL D: TYPICAL AUTOSCOPE SOLO FIELD OF VIEW DIAGRAM

NOT TO SCALE

MICHIGAN DEPARTMENT OF TRANSPORTATION BUREAU OF HIGHWAYS DELIVERY STANDARD PLAN		(SPECIAL DETAIL) FHWA APPROVAL DATE	APRIL 2010 PLAN DATE	OC-380-A	SHEET 4 of 4
File:		Rev. 09/18/12			

AS-LET PLAN REVISIONS							
NO.	DATE	AUTH	DESCRIPTION	NO.	DATE	AUTH	DESCRIPTION



DATE:	CS:	DRAWING	SHEET
DESIGN UNIT:	JN:		
FILE:	TSC:		