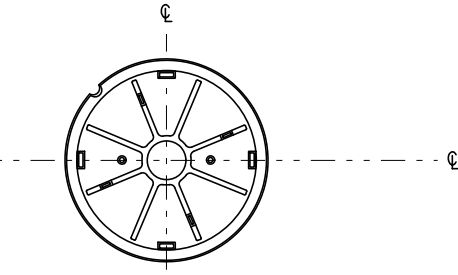
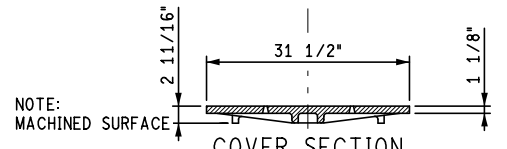


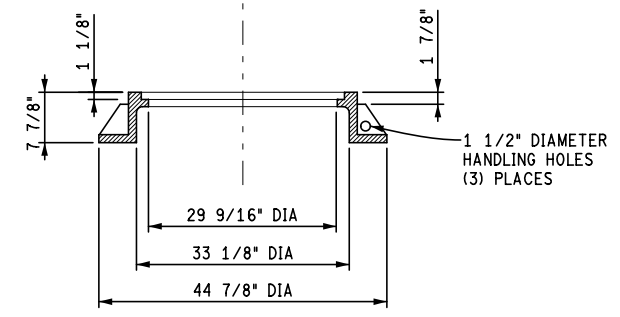
TOP VIEW OF COVER
NOT TO SCALE



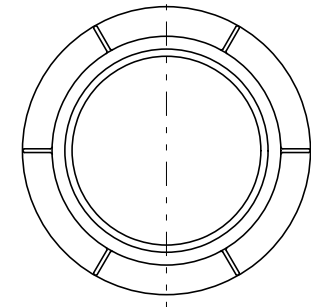
BOTTOM VIEW OF COVER
NOT TO SCALE



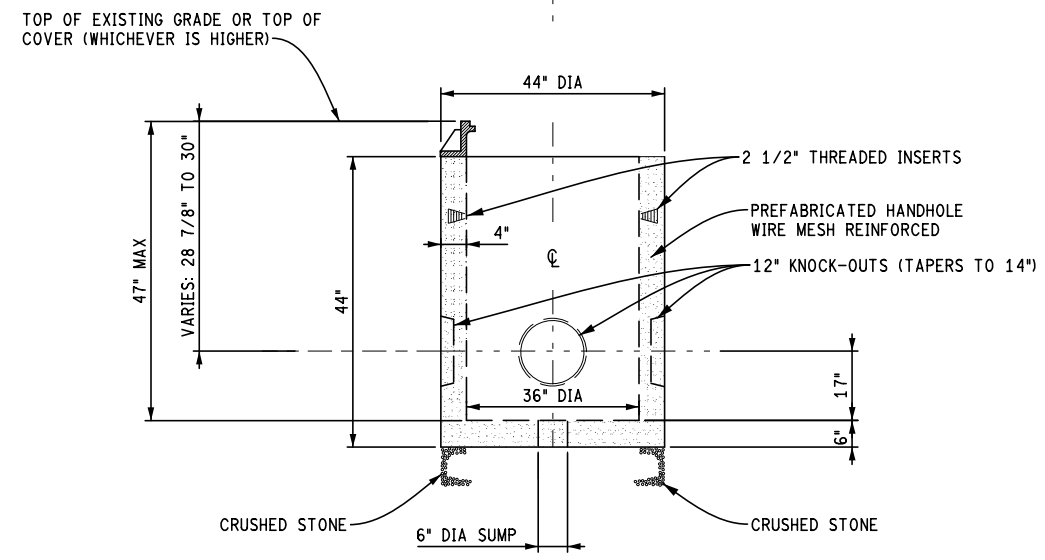
COVER SECTION
NOT TO SCALE



FRAME SECTION
NOT TO SCALE



TOP VIEW OF FRAME
NOT TO SCALE



36" DIAMETER ROUND HANDHOLE SECTION
NOT TO SCALE

- NOTES:
1. PROVIDE HANDHOLE AND COVER MEETING THE REQUIREMENTS OF AASHTO HS 25 FOR WHEEL LOADING.
 2. CURRENT COVER AND FRAME FOR 36" ROUND HANDHOLES ARE EAST JORDAN IRON WORKS PART NO. 1220 OR APPROVED EQUAL, A.S.T.M. CLASS 30 GRAY IRON, HEAVY DUTY, APPROX. WT. 685#.

FINAL ROW PLAN REVISIONS (SUBMITTAL DATE:)									NO SCALE	DATE:	CS:	HANDHOLE, ROUND, 3 FOOT DIA.	DRAWING SHEET	
NO.	DATE	AUTH	DESCRIPTION	NO.	DATE	AUTH	DESCRIPTION			PRINT DATE: 7/14/2016	DESIGN UNIT:			JN:
										FILE: HH, Round, 3ft diam- 7-14-2016_ITS070A	TSC:			