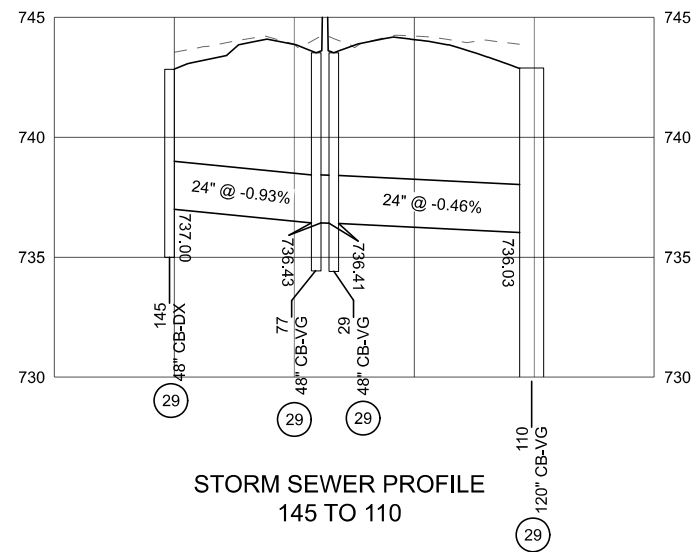
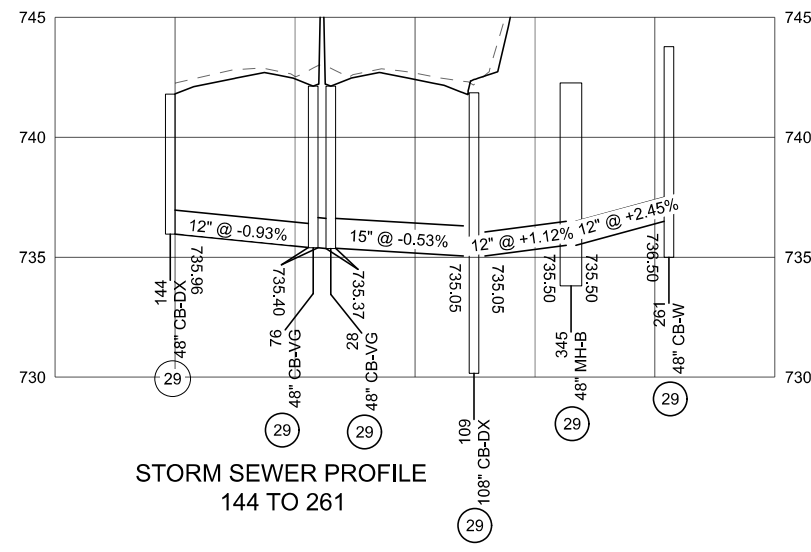


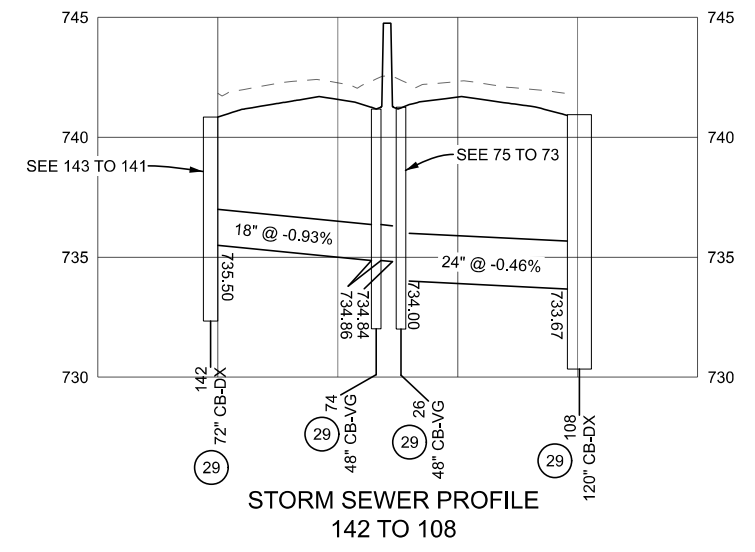
STORM SEWER PROFILE
299 TO 107



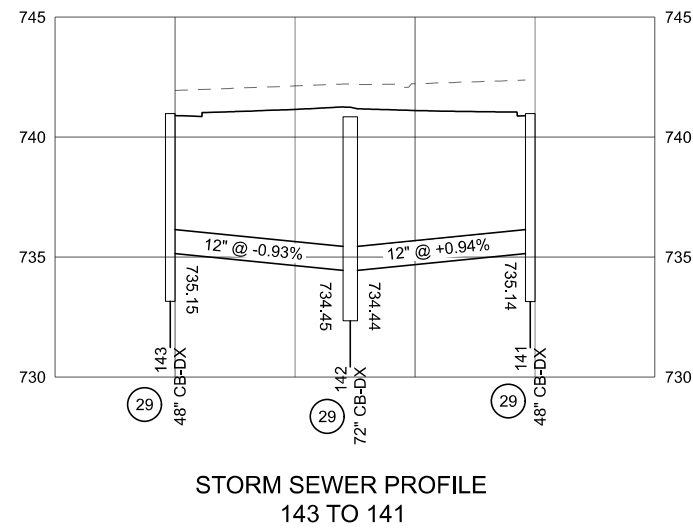
STORM SEWER PROFILE
145 TO 110



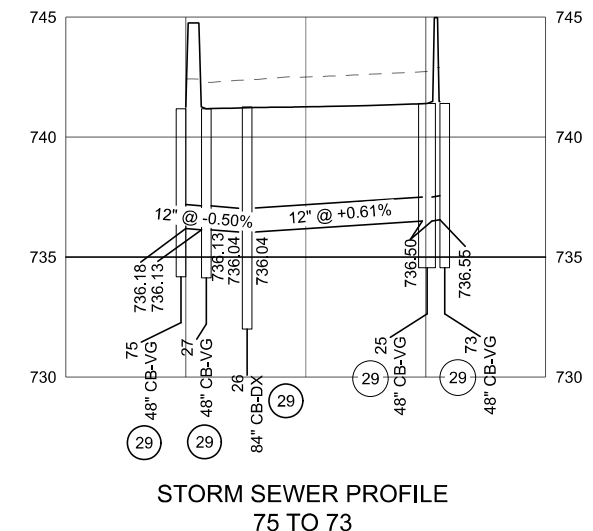
STORM SEWER PROFILE
144 TO 261



STORM SEWER PROFILE
142 TO 108

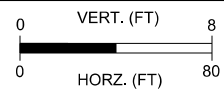


STORM SEWER PROFILE
143 TO 141



STORM SEWER PROFILE
75 TO 73

FINAL ROW PLAN REVISIONS				SUBMITTAL DATE:			
NO.	DATE	AUTH	DESCRIPTION	NO.	DATE	AUTH	DESCRIPTION



PLAN GUIDELINES
SAMPLE PLANS
FILE: Drainage Profile.dgn

DATE: 02/18/21
DESIGN UNIT:IDS
TSC: ENGINEERING SUPPORT

CS: 55555, (55556, 55557)
JN: 123456
234567

DRAINAGE PROFILE
M-123

DRAWING SHEET
M-123
DRNPRF
1